

# T-WAY



The manufacturer reserves the right to modify or improve products without prior notice. Any inaccuracies or errors found in this handbook will be corrected in the next edition.

When opening the packing please check that the product is intact. Please recycle materials in compliance with current regulations.

**This product may only be installed by a qualified fitter. The manufacturer declines all liability for damage to property and/or personal injury deriving from the incorrect installation of the system or its non-compliance with current law (see Machinery Directive).**

## GENERAL SAFETY RECOMMENDATIONS

Only begin to install the device after you have carefully read this instruction manual.

Both the mechanical part and the electrical part must be installed in a perfectly workmanlike manner, in compliance with the current laws in force. Failure to comply with these latter may result in danger hazards for persons or property.

The installer must be a competent person who has been adequately trained. He must check to make sure that the structure on which the actuator is installed is strong and stable. If necessary, structural modifications must be made to strengthen it. The installer must also check that all zones where there is a risk of crushing, dragging, shearing or other dangers, are protected by means of electronic safety devices, safety freeboards or barriers. These devices must be installed in compliance with the current laws and in a perfectly workmanlike way, also in relation to the place of use, the type of use and the operating logic of the product. The forces developed by the complete system as it operates must comply with the current standards and, where this is not possible, the zones affected by these forces must be protected with electronic safety devices. Moreover, dangerous zones must be indicated, as established by the current laws in force.

Before the actuator is connected, make sure that the electricity main possesses characteristics that are compatible with those described in the technical specifications of this manual, and that there is a differential circuit-breaker and adequate protection against overcurrents on the supply side of the system. Remember to turn off the power supply before installing or servicing the actuator and whenever the cover must be opened.

Electrostatic charges can damage the electronic components on the boards. Wear a grounded antistatic bracelet if you must work on the electronic boards. Never place the hands or other parts of the body in moving parts, such as belts, pulleys, carrelli, etc.

Servicing the actuator is of fundamental importance if the system is to operate correctly and safely. It is advisable to periodically inspect all parts every 6 months, to make sure they operate in an efficient way.

The manufacturer declines all liability for improper installation or use of the product, or for damage deriving from unauthorized modifications to the system. Only use genuine spare parts if replacements or repairs are required. The manufacturer cannot be held liable for the way the doors or gates to be automated are constructed, or for damages caused by failure to build the doors and gates in compliance with good workmanlike techniques.

Protection degree IP10 requires that the actuator only be installed inside buildings. The manufacturer declines all liability for damage caused by assembly on the outside, without adequate protections.

Always make sure that the product is in a good condition before it is installed.

This product cannot be installed in places with an explosive atmosphere or in the presence of inflammable fumes or gases.

This product must be disposed of according to the current laws in force at the end of its useful life.

Do not leave parts of the product or its packaging within children's reach, as they could become a danger hazard.

Do not stay within the door movement range and do not deliberately try to stop the door movement.

Do not allow children to stay or play within the door movement range.

## MACHINE DIRECTIVE

As established by the EU commission, automated pedestrian closing systems are governed by the machine directive (2006/48/EC). This latter specifies that the installer who fits a driving system on a door or gate has the same obligations as the manufacturer of the machine. Thus, he must:

1. Prepare the technical report (complete with the documents described in annex VII of the Machine Directive).
2. Compile the relative CE conformity certificate (as per annex II-A of the Machine Directive).
3. Affix CE marking to the motorized door or gate (1.7.3, of annex I of the Machine Directive).

The installer must keep the technical report at the disposal of the competent authorities in the country for at least 10 years, running from the date on which the motorized door or gate was manufactured.

The installer must consign the following documents to the customer:

1. Instructions on how to operate and safely use the system.
2. The routine maintenance instructions.
3. The declaration of conformity.

## MAINTENANCE PROGRAM

### Each 6 month:

Attention! Before work on the operator cut main power line.

- Check that all securing screws are well tightened.
- Check the tension of the belt.
- Clean the carriages sliding guide and the ground sliding guide .
- Check that carriages and wings are correctly aligned and stop are properly positioned.
- Check that elettrolock, if present, are correctly fitted and that mechanical unlock system work fine.
- Check wiring connections.
- Check that door wings are stable and the movement is steady, without friction from full open to full close position.
- Check that speeds, timing, and safety functions are well set.
- lean sensors and check that safety and activation sensor are properly functioning.

Attention! Any part that appear damaged or worn must be changed.

For spare parts see the spare part list.



## INDEX

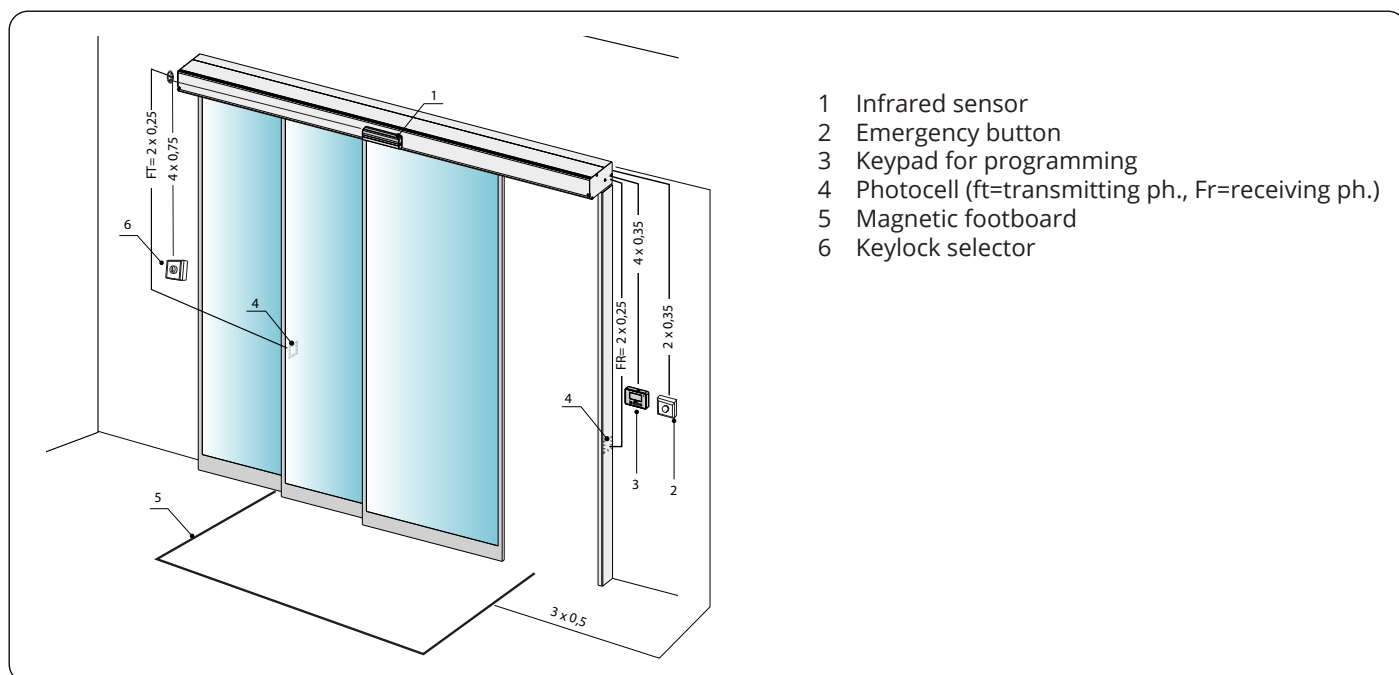
---

1_	TECHNICAL FEATURES	pag. 4
2_	TYPICAL SYSTEM	pag. 4
3_	AUTOMATION SECTION AND REFERENCES	pag. 4
4_	LEAF DIMENSIONS AND COMPONENT LAYOUT	pag. 6
5_	INSTALLATION	pag. 16
6_	LIMIT STOP POSITIONING ON T-WAY2S / T-WAY2D / T-WAY4	pag. 17
7_	ADJUSTMENT OF THE BELT TENSION AND EASY OPENING OF THE GUARD	pag. 18
8_	ASSEMBLY OF A TWO-LEAF AUTOMATIC TELESCOPIC DOOR KIT (T-WAY2D / T-WAY2S)	pag. 19
9_	ASSEMBLY OF A FOUR-LEAF AUTOMATIC TELESCOPIC DOOR KIT (T-WAY4)	pag. 22
	GUARANTEE	pag. 25
	MANUFACTURER'S DECLARATION OF INCORPORATION	pag. 25

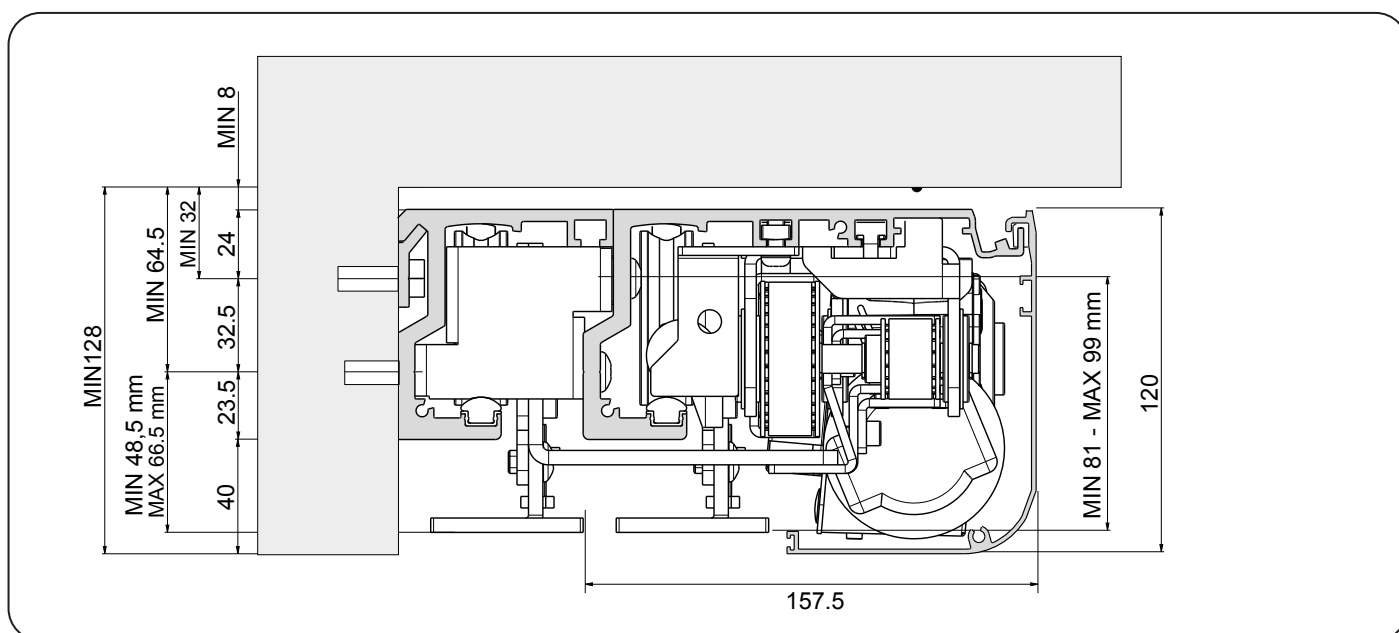
## 1. TECHNICAL FEATURES

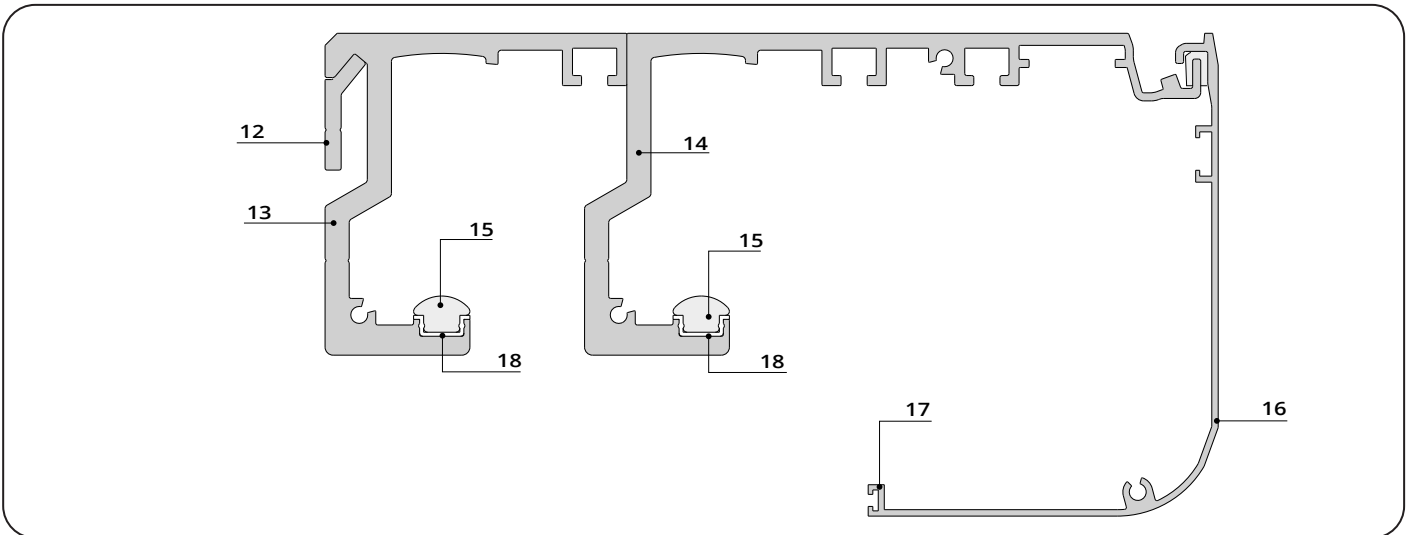
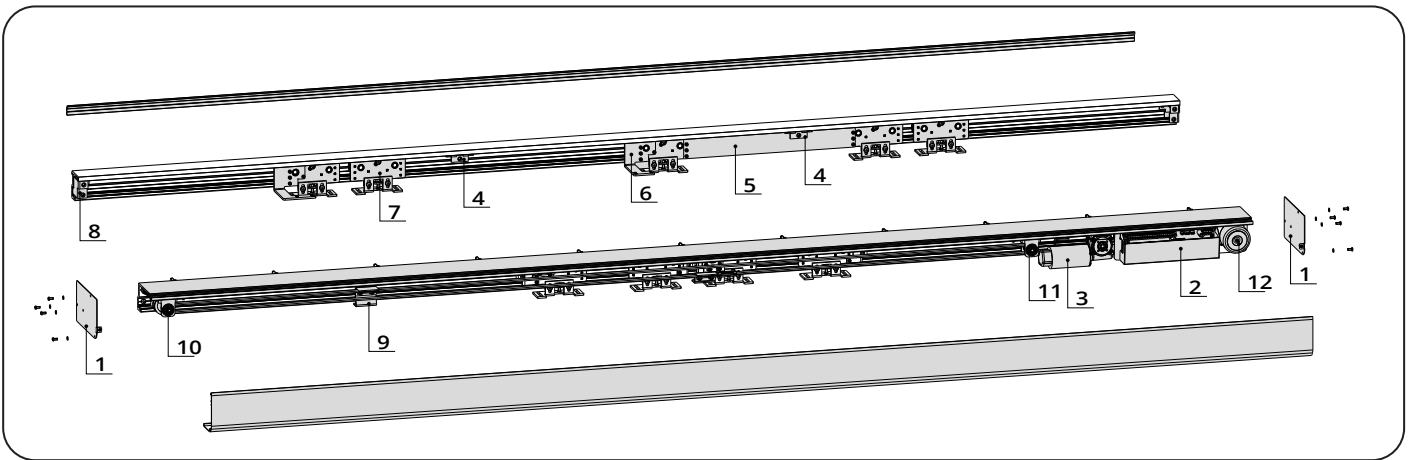
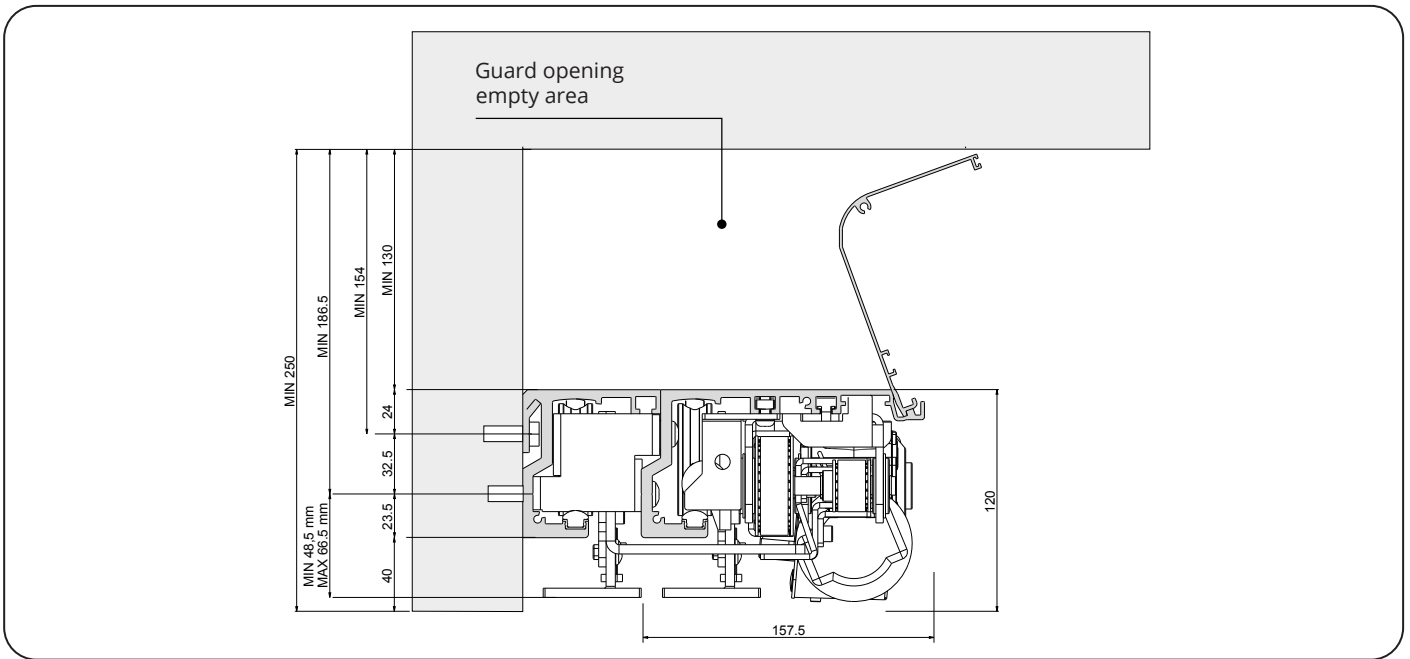
TECHNICAL DATA	T-WAY
Power rating	120 Watt
Max. door weight	1+1 wing 130 daN (Kg) - 2+2 wings 65 daN (Kg) per wing
Opening speed	70 cm/sec (for wing)
Closing speed	60 cm/sec (for wing)
Voltage input	230 Vac $\pm$ 10% 50-60 Hz
Type of work	Continuous (100%)
Operating temperature	-15°C $\div$ +55°C
Beam dimensions	120 x 210 mm x length max. 3000 mm
Degree of protection	IP 22
Electric motor	48V DC
Ext. accessories power supply	12 e 24Vac

## 2. IMPIANTO TIPO



## 3. AUTOMATION SECTION AND REFERENCES



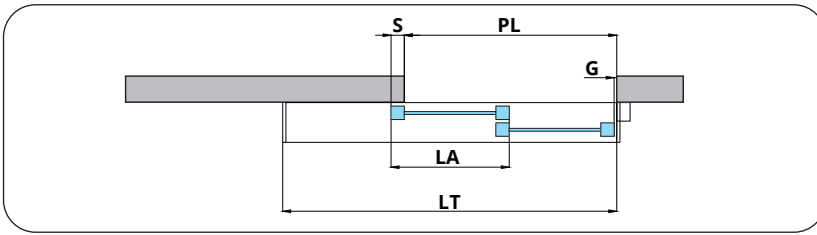


- |                                  |   |                               |
|----------------------------------|---|-------------------------------|
| 1. Pair of side panels           | 7. Complete carriage                    | 13. Telescopic crosspiece     |
| 2. Electronic control unit       | 8. Door side fixing                     | 14. Main crosspiece           |
| 3. Motor unit with encoder       | 9. Slow leaf belt support               | 15. Sliding rail              |
| 4. Beam intermediate fixing      | 10. Double pulley complete transmission | 16. Guard                     |
| 5. Carriage connecting bar       | 11. Single pulley complete transmission | 17. Guard compensator profile |
| 6. Auxiliary carriage connection | 12. Anchoring profile                   | 18. Rail seal                 |

## 4. LEAF DIMENSIONS AND COMPONENT LAYOUT

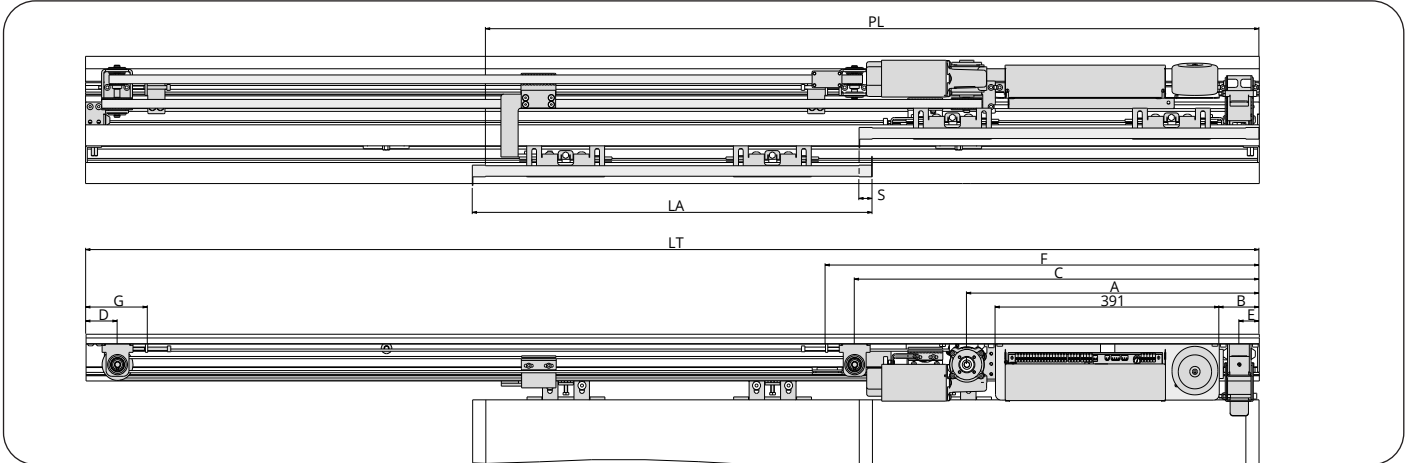
For the door to work correctly, we recommend you comply with the measurements shown in the relative tables.

### 4.1 TWO-LEAF OPENING TO THE LEFT WITH ELECTRIC LOCK. LEVER RELEASE WITH BATTERY



**LEGEND:**

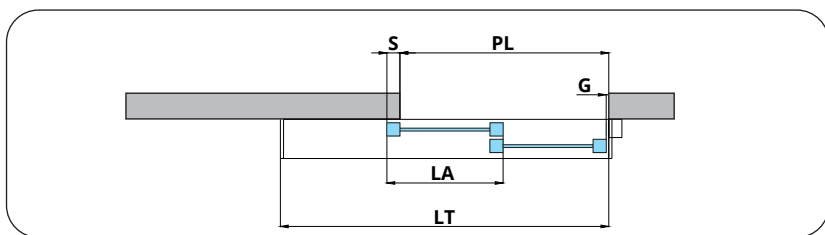
- LT = BEAM CUT LENGTH
- PL = FREE PASSAGE
- LA = LEAF WIDTH
- G = FINAL STOP
- S = LEAVES OVERLAPPING



A	Motor axle position	545 mm
B	Control central position	100 mm
C	Single pulley position	765-750 mm
D	Double pulley position	70-55 mm
E	Electric lock position	55 mm
F	Single pulley belt tensioner position	800 mm

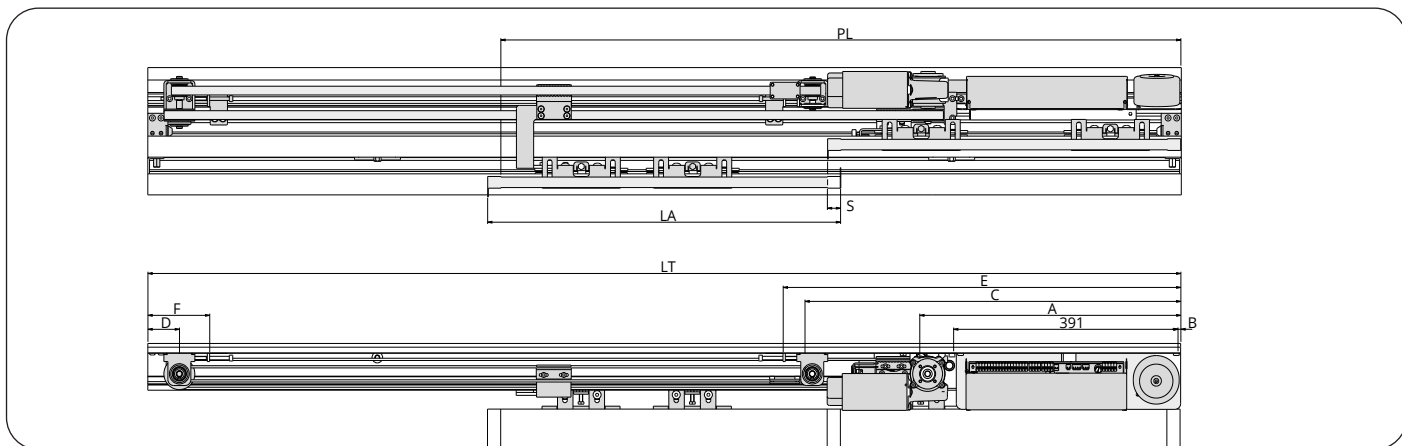
G	Double pulley belt tensioner position	100 mm
LT	Beam cut length	mm
PL	Free passage	mm
LA	Leaf width	mm
S	Leaves overlapping	23 mm

## 4.2 TWO-LEAF OPENING TO THE LEFT W/O ELECTRIC LOCK. WITH BATTERY



### LEGEND:

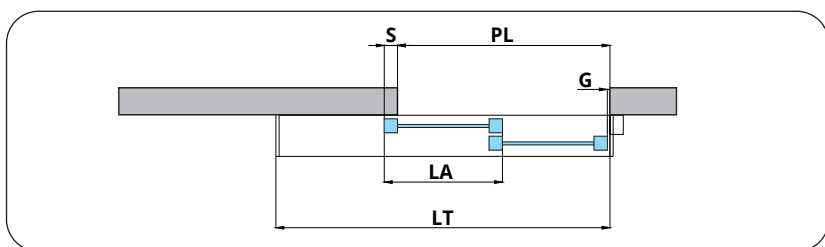
**LT** = BEAM CUT LENGTH  
**PL** = FREE PASSAGE  
**LA** = LEAF WIDTH  
**G** = FINAL STOP  
**S** = LEAVES OVERLAPPING



A	Motor axle position	455 mm
B	Control central position	5 mm
C	Single pulley position	670-655 mm
D	Double pulley position	70-55 mm
E	Single pulley belt tensioner position	700 mm

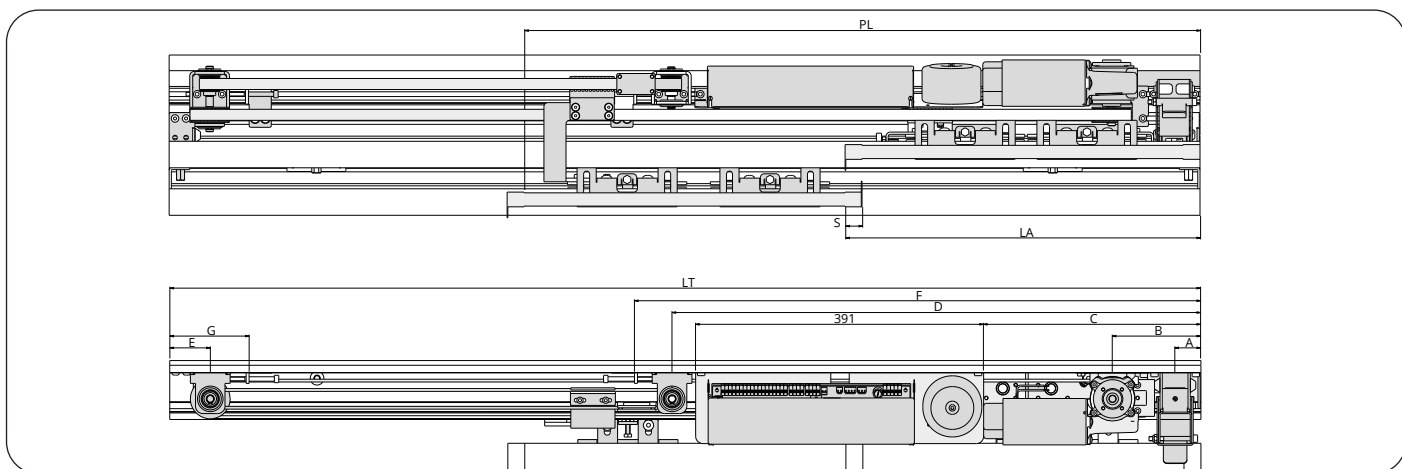
F	Double pulley belt tensioner position	100 mm
LT	Beam cut length	mm
PL	Free passage	mm
LA	Leaf width	mm
S	Leaves overlapping	23 mm

## 4.3 TWO-LEAF OPENING TO THE LEFT WITH ELECTRIC LOCK. LEVER RELEASE WITHOUT BATTERY



### LEGEND:

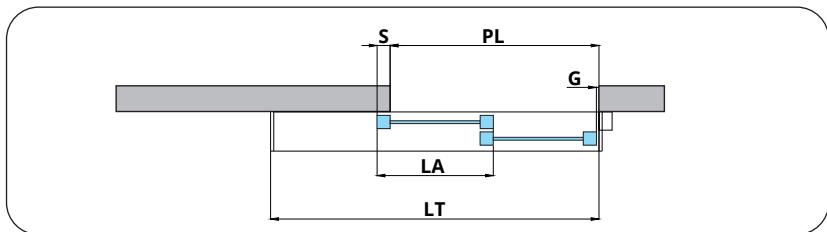
**LT** = BEAM CUT LENGTH  
**PL** = FREE PASSAGE  
**LA** = LEAF WIDTH  
**G** = FINAL STOP  
**S** = LEAVES OVERLAPPING



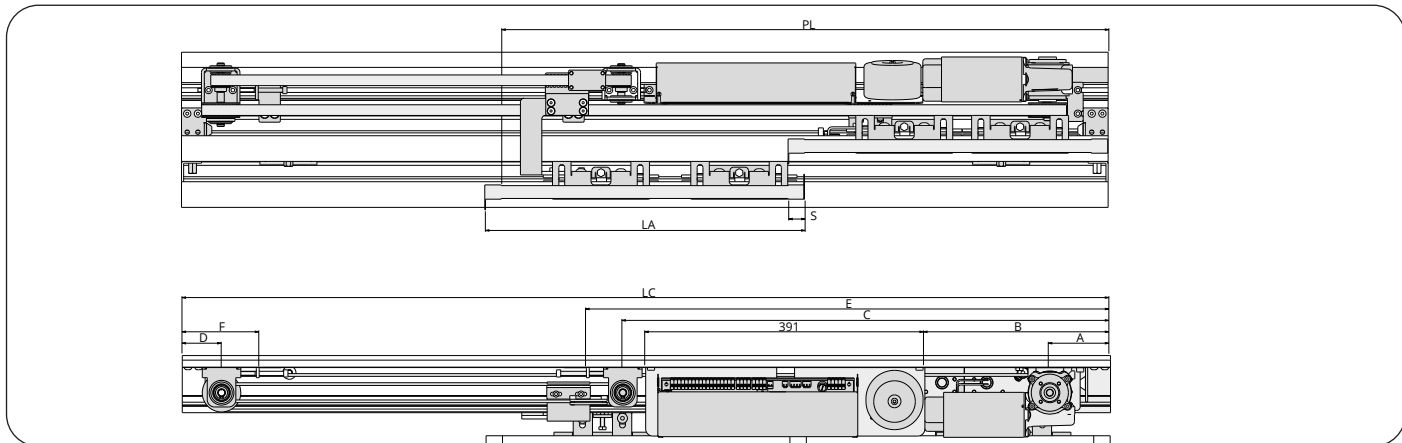
A	Electric lock position	55 mm
B	Motor position	140 mm
C	Control central position	325 mm
D	Single pulley position	770 mm
E	Double pulley position	80 mm
F	Single pulley belt tensioner position	820 mm

G	Double pulley belt tensioner position	100 mm
LT	Beam cut length	mm
PL	Free passage	mm
LA	Leaf width	mm
S	Leaves overlapping	23 mm

#### 4.4 TWO-LEAF OPENING TO THE LEFT W/O ELECTRIC LOCK. WITHOUT BATTERY



**LEGEND:**  
**LT** = BEAM CUT LENGTH  
**PL** = FREE PASSAGE  
**LA** = LEAF WIDTH  
**G** = FINAL STOP  
**S** = LEAVES OVERLAPPING



A	Motor axle position	100 mm
B	Control central position	280 mm
C	Single pulley position	720-705 mm
D	Double pulley position	80 mm
E	Single pulley belt tensioner position	750 mm

F	Double pulley belt tensioner position	100 mm
LT	Beam cut length	mm
PL	Free passage	mm
LA	Leaf width	mm
S	Leaves overlapping	23 mm

#### FORMULAS TO CALCULATE BEAM-LEAVES LENGTH

<b>Calculation of LT when PL is known</b>
$LT = \frac{3 PL - G}{2} + S$
$LA = \frac{PL - G}{2} + S$

<b>Calculation of PL when LT is known</b>
$PL = \frac{2 (LT - S) + G}{3}$

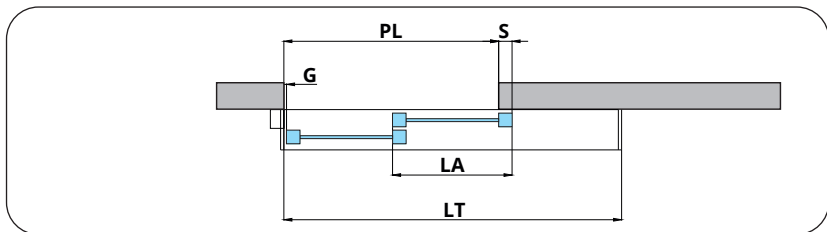
Below are some examples of telescopic sliding doors calculated by assuming a leaf overlap  $S = 23mm$  and a final stop  $G = 0mm$  each one with its relative installable accessories.

**Dimensional table (in mm) of the telescopic doors with two leaves moving to the left:**

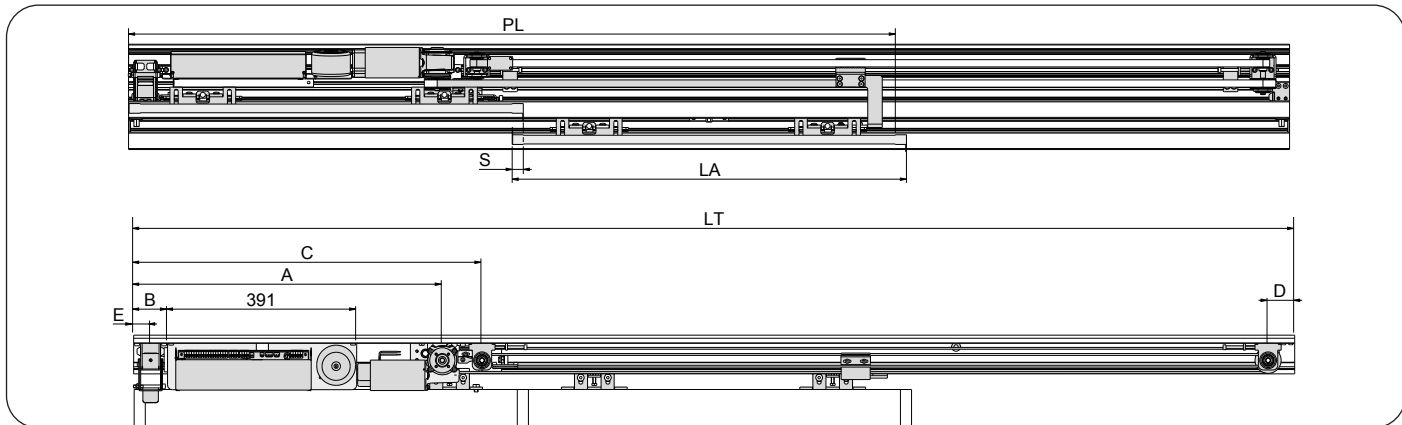
BEAM LENGTH WITHOUT SIDE COVERS	FREE PASSAGE NO SEALS	LEAF WIDTH	INSTALLABLE ACCESSORIES										DIMENSION WITHOUT RELEASE	DIMENSION WITH METAL LEFT-HAND RELEASE	DIMENSION WITH PLASTIC RIGHT-HAND RELEASE		
			LEVER LOCK	ELECTRIC LOCK	LH METAL RELEASE WIRE ELECTRIC LOCK	RH PLASTIC RELEASE WIRE ELECTRIC LOCK	BACKUP BATTERY	LEVER ELECTRIC LOCK BATTERY	LH METAL RELEASE WIRE ELECTRIC LOCK BATTERY	LH PLASTIC RELEASE WIRE ELECTRIC LOCK BATTERY							
LT	PL	LA															
1300	851,3	448,7	-	-	-	-	-	-	-	-	-	-	-	-	-	-	-
1350	884,7	465,3	-	-	-	-	-	-	-	-	-	-	-	-	-	-	-
1400	918,0	482,0	X	X	X	X	X	X	X	X	X	X	X	X	X	X	X
1500	984,7	515,3	X	X	X	X	X	X	X	X	X	X	X	X	X	X	X
1550	1018,0	532,0	X	X	X	X	X	X	X	X	X	X	X	X	X	X	X
1750	1151,3	598,7	X	X	X	X	X	X	X	X	X	X	X	X	X	X	X
1800	1184,7	615,3	X	X	X	X	X	X	X	X	X	X	X	X	X	X	X
1950	1284,7	665,3	X	X	X	X	X	X	X	X	X	X	X	X	X	X	X
2050	1351,3	698,7	X	X	X	X	X	X	X	X	X	X	X	X	X	X	X
2150	1418,0	732,0	X	X	X	X	X	X	X	X	X	X	X	X	X	X	X
2250	1484,7	765,3	X	X	X	X	X	X	X	X	X	X	X	X	X	X	X
2350	1551,3	798,7	X	X	X	X	X	X	X	X	X	X	X	X	X	X	X
2550	1684,7	865,3	X	X	X	X	X	X	X	X	X	X	X	X	X	X	X
2750	1818,0	932,0	X	X	X	X	X	X	X	X	X	X	X	X	X	X	X
2950	1951,3	998,7	X	X	X	X	X	X	X	X	X	X	X	X	X	X	X
3150	2084,7	1065,3	X	X	X	X	X	X	X	X	X	X	X	X	X	X	X
3350	2218,0	1132,0	X	X	X	X	X	X	X	X	X	X	X	X	X	X	X
3550	2351,3	1198,7	X	X	X	X	X	X	X	X	X	X	X	X	X	X	X
3750	2484,7	1265,3	X	X	X	X	X	X	X	X	X	X	X	X	X	X	X
3950	2618,0	1332,0	X	X	X	X	X	X	X	X	X	X	X	X	X	X	X
4150	2751,3	1398,7	X	X	X	X	X	X	X	X	X	X	X	X	X	X	X
4350	2884,7	1465,3	X	X	X	X	X	X	X	X	X	X	X	X	X	X	X
4550	3018,0	1532,0	X	X	X	X	X	X	X	X	X	X	X	X	X	X	X
4750	3151,3	1598,7	X	X	X	X	X	X	X	X	X	X	X	X	X	X	X
4950	3284,7	1665,3	X	X	X	X	X	X	X	X	X	X	X	X	X	X	X
5150	3418,0	1732,0	X	X	X	X	X	X	X	X	X	X	X	X	X	X	X
5350	3551,3	1798,7	X	X	X	X	X	X	X	X	X	X	X	X	X	X	X
5550	3684,7	1865,3	X	X	X	X	X	X	X	X	X	X	X	X	X	X	X
5750	3818,0	1932,0	X	X	X	X	X	X	X	X	X	X	X	X	X	X	X
5950	3951,3	1998,7	X	X	X	X	X	X	X	X	X	X	X	X	X	X	X
6150	4084,7	2065,3	X	X	X	X	X	X	X	X	X	X	X	X	X	X	X
6350	4218,0	2132,0	X	X	X	X	X	X	X	X	X	X	X	X	X	X	X



#### 4.5 TWO-LEAF OPENING TO THE RIGHT WITH ELECTRIC LOCK. LEVER RELEASE WITH BATTERY

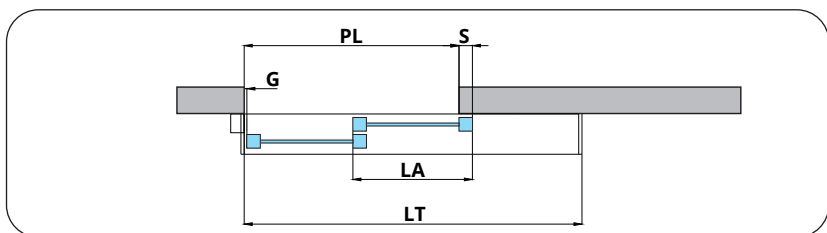


**LEGEND:**  
**LT** = BEAM CUT LENGTH  
**PL** = FREE PASSAGE  
**LA** = LEAF WIDTH  
**G** = FINAL STOP  
**S** = LEAVES OVERLAPPING



A	Motor axle position	638 mm	LT	Beam cut length	mm
B	Control central position	70 mm	PL	Free passage	mm
C	Single pulley position	720 mm	LA	Leaf width	mm
D	Double pulley position	55 mm	S	Leaves overlapping	23 mm
E	Electric lock position	135 mm			

#### 4.6 TWO-LEAF OPENING TO THE RIGHT WITH BATTERY

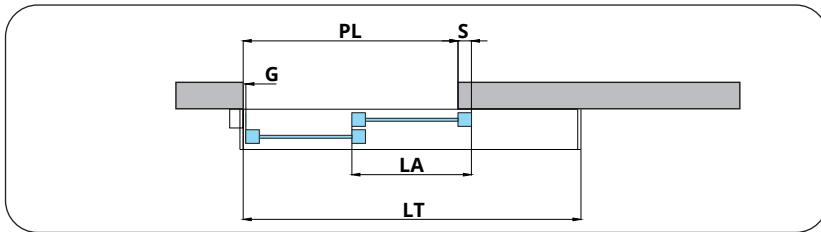


**LEGEND:**  
**LT** = BEAM CUT LENGTH  
**PL** = FREE PASSAGE  
**LA** = LEAF WIDTH  
**G** = FINAL STOP  
**S** = LEAVES OVERLAPPING

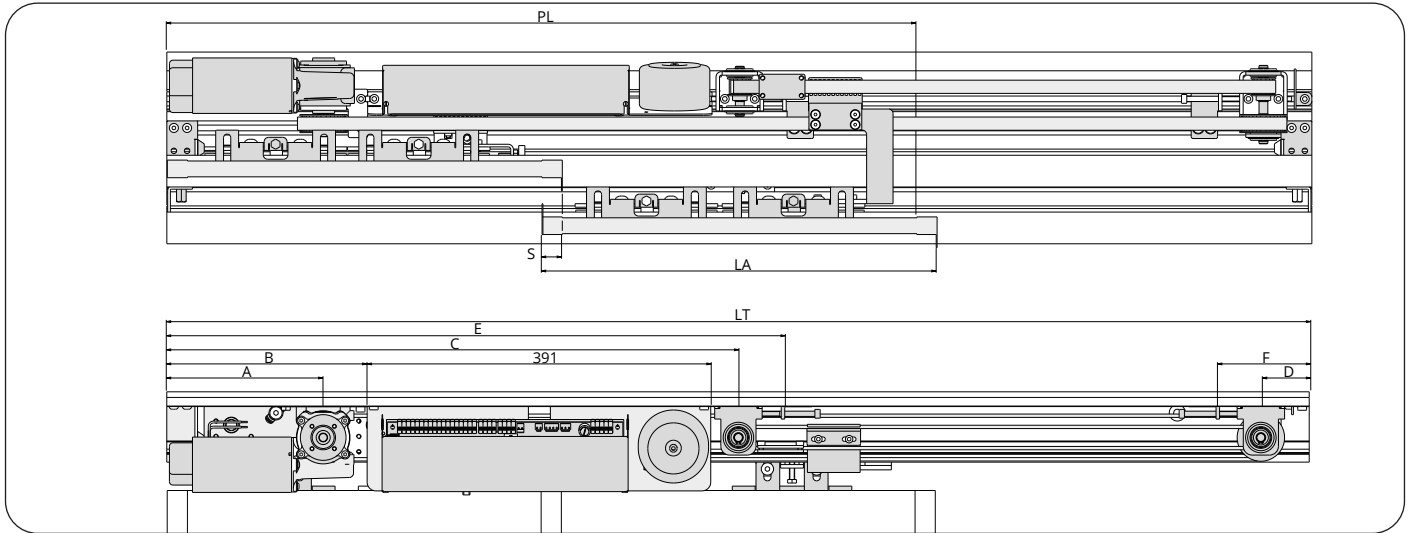


A	Motor axle position	568 mm	LT	Beam cut length	mm
B	Control central position	0 mm	PL	Free passage	mm
C	Single pulley position	650 mm	LA	Leaf width	mm
D	Double pulley position	55 mm	S	Leaves overlapping	23 mm

#### 4.7 TWO-LEAF OPENING TO THE RIGHT W/O ELECTRIC LOCK. WITHOUT BATTERY



**LEGEND:**  
**LT** = BEAM CUT LENGTH  
**PL** = FREE PASSAGE  
**LA** = LEAF WIDTH  
**G** = FINAL STOP  
**S** = LEAVES OVERLAPPING



A	Motor axle position	180 mm	F	Double pulley belt tensioner position	100 mm
B	Control central position	235 mm	LT	Beam cut length	mm
C	Single pulley position	670-655 mm	PL	Free passage	mm
D	Double pulley position	74-60 mm	LA	Leaf width	mm
E	Single pulley belt tensioner position	700 mm	S	Leaves overlapping	23 mm

#### DIMENSION WITH SIDES

##### Calculation of LT when PL is known

$$LT = \frac{3 PL - G}{2} + S$$

$$LA = \frac{PL - G}{2} + S$$

##### Calculation of PL when LT is known

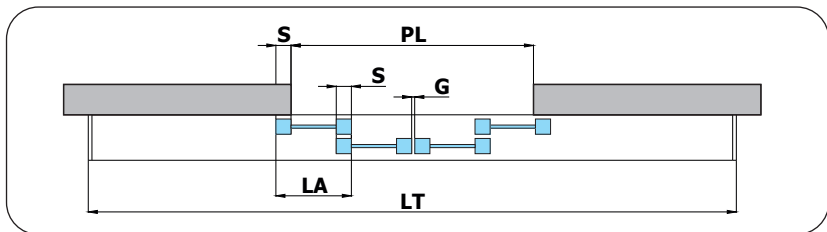
$$PL = \frac{2 (LT - S) + G}{3}$$

Below are some examples of telescopic sliding doors calculated by assuming a leaf overlap  $S = 23mm$  and a final stop  $G = 0mm$  each one with its relative installable accessories.

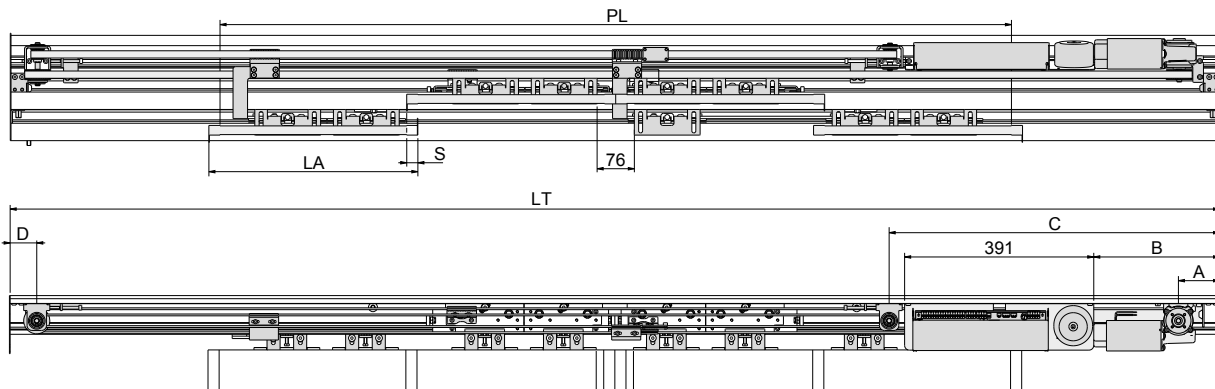
**Dimensional table (in mm) of the telescopic doors with two leaves moving to the right:**

BEAM LENGTH WITHOUT SIDE COVERS	FREE PASSAGE NO SEALS	LEAF WIDTH	ACCESSORI INSTALLABILI										DIMENSION WITHOUT RELEASE	DIMENSION WITH METAL LEFT-HAND RELEASE	DIMENSION WITH PLASTIC RIGHT-HAND RELEASE		
			LEVERELECTRIC LOCK	LH METAL RELEASE WIRE ELECTRIC LOCK	RH PLASTIC RELEASE WIRE ELECTRIC LOCK	BACKUP BATTERY	LEVER ELECTRIC LOCK BATTERY	RH PLASTIC RELEASE WIRE ELECTRIC LOCK BATTERY	LH METAL RELEASE WIRE ELECTRIC LOCK BATTERY	DIMENSION WITHOUT RELEASE	DIMENSION WITH METAL LEFT-HAND RELEASE	DIMENSION WITH PLASTIC RIGHT-HAND RELEASE					
LT	PL	LA															
1300	851,3	448,7	-	-	-	-	-	-	-	-	-	-	-	-	1312	-	-
1350	884,7	465,3	-	-	-	-	-	-	-	-	-	-	-	1362	-	-	
1400	918,0	482,0	X	X	-	-	-	-	-	-	-	-	-	1412	-	1435	
1550	1018,0	532,0	X	X	-	-	-	-	-	-	-	-	-	1562	-	1585	
1700	1118,0	582,0	X	X	X	-	-	-	-	-	-	-	-	1712	1747	1735	
1750	1151,3	598,7	X	X	X	-	-	-	-	-	-	-	-	1762	1797	1785	
1950	1284,7	665,3	X	X	X	-	-	-	-	-	-	-	-	1962	1997	1985	
2150	1418,0	732,0	X	X	X	-	-	-	-	-	-	-	-	2162	2197	2185	
2200	1451,3	748,7	X	X	X	X	-	-	-	-	-	-	-	2212	2247	2235	
2350	1551,3	798,7	X	X	X	X	X	-	-	-	-	-	-	2362	2397	2385	
2400	1584,7	815,3	X	X	X	X	X	X	-	-	-	-	-	2412	2447	2435	
2550	1684,7	865,3	X	X	X	X	X	X	X	-	-	-	-	2562	2597	2585	
2600	1718,0	882,0	X	X	X	X	X	X	X	X	-	-	-	2612	2647	2635	
2700	1784,7	915,3	X	X	X	X	X	X	X	X	X	-	-	2712	2747	2735	
2750	1818,0	932,0	X	X	X	X	X	X	X	X	X	X	-	2762	2797	2785	
2950	1951,3	998,7	X	X	X	X	X	X	X	X	X	X	X	2962	2997	2985	
3150	2084,7	1065,3	X	X	X	X	X	X	X	X	X	X	X	3162	3197	3185	
3350	2218,0	1132,0	X	X	X	X	X	X	X	X	X	X	X	3362	3397	3385	
3550	2351,3	1198,7	X	X	X	X	X	X	X	X	X	X	X	3562	3597	3585	
3750	2484,7	1265,3	X	X	X	X	X	X	X	X	X	X	X	3762	3797	3785	
3950	2618,0	1332,0	X	X	X	X	X	X	X	X	X	X	X	3962	3997	3985	
4150	2751,3	1398,7	X	X	X	X	X	X	X	X	X	X	X	4162	4197	4185	
4350	2884,7	1465,3	X	X	X	X	X	X	X	X	X	X	X	4362	4397	4385	
4550	3018,0	1532,0	X	X	X	X	X	X	X	X	X	X	X	4562	4597	4585	
4750	3151,3	1598,7	X	X	X	X	X	X	X	X	X	X	X	4762	4797	4785	
4950	3284,7	1665,3	X	X	X	X	X	X	X	X	X	X	X	4962	4997	4985	
5150	3418,0	1732,0	X	X	X	X	X	X	X	X	X	X	X	5162	5197	5185	
5350	3551,3	1798,7	X	X	X	X	X	X	X	X	X	X	X	5362	5397	5385	
5550	3684,7	1865,3	X	X	X	X	X	X	X	X	X	X	X	5562	5597	5585	
5750	3818,0	1932,0	X	X	X	X	X	X	X	X	X	X	X	5762	5797	5785	
5950	3951,3	1998,7	X	X	X	X	X	X	X	X	X	X	X	5962	5997	5985	
6150	4084,7	2065,3	X	X	X	X	X	X	X	X	X	X	X	6162	6197	6185	
6350	4218,0	2132,0	X	X	X	X	X	X	X	X	X	X	X	6362	6397	6385	
6400	4251,3	2148,7	X	X	X	X	X	X	X	X	X	X	X	6412	6447	6435	
6450	4284,7	2165,3	X	X	X	X	X	X	X	X	X	X	X	6462	6497	6485	
6500	4318,0	2182,0	X	X	X	X	X	X	X	X	X	X	X	6512	6547	6535	

#### 4.8 4-LEAVES OPENING WITHOUT ELECTRIC LOCK. WITHOUT BATTERY

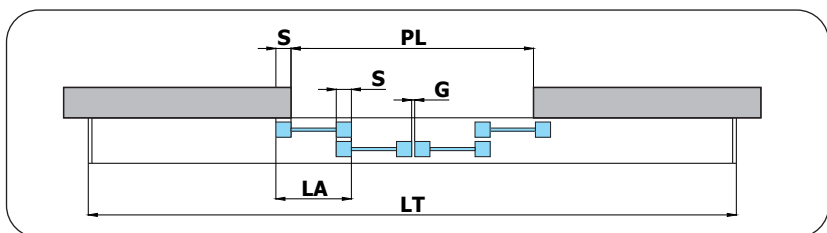


**LEGEND:**  
**LT** = BEAM CUT LENGTH  
**PL** = FREE PASSAGE  
**LA** = LEAF WIDTH  
**G** = FINAL STOP  
**S** = LEAVES OVERLAPPING

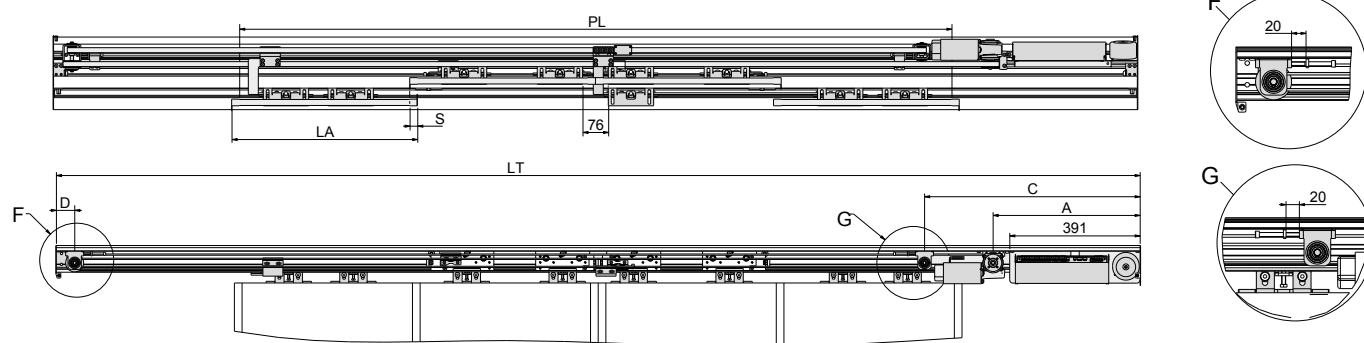


A	Motor axle position	85 mm	LT	Beam cut length	mm
B	Control central position	260 mm	PL	Free passage	mm
C	Single pulley position	683 mm	LA	Leaf width	mm
D	Double pulley position	55 mm	S	Leaves overlapping	23 mm

#### 4.9 4-LEAVES OPENING WITHOUT ELECTRIC LOCK. WITH BATTERY

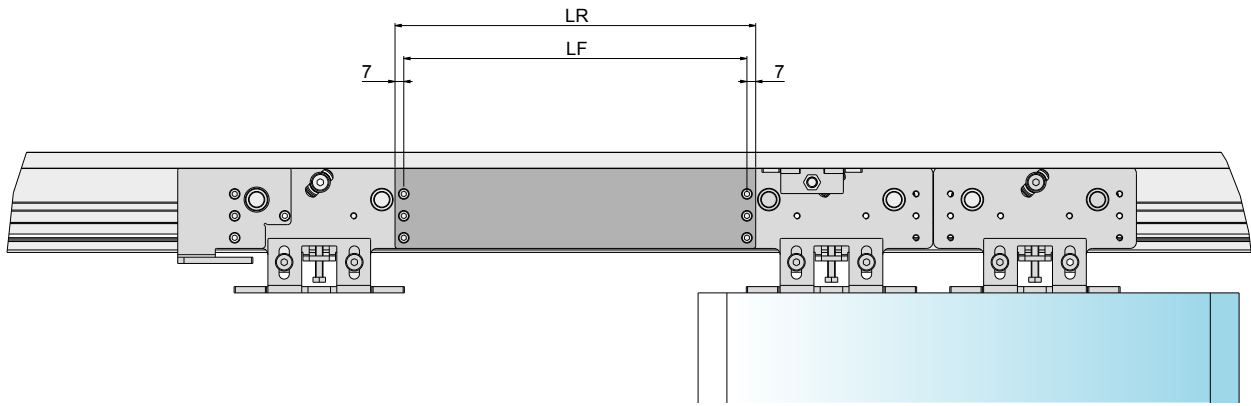


**LEGEND:**  
**LT** = BEAM CUT LENGTH  
**PL** = FREE PASSAGE  
**LA** = LEAF WIDTH  
**G** = FINAL STOP  
**S** = LEAVES OVERLAPPING



A	Motor axle position	441 mm	LT	Beam cut length	mm
B	Control central position	0 mm	PL	Free passage	mm
C	Single pulley position	646 mm	LA	Leaf width	mm
D	Double pulley position	55 mm	S	Leaves overlapping	23 mm

#### 4.10 CARRIAGE CONNECTION BAR FOR T-WAY WITH 4 MOBILE LEAVES



The T-WAY operating unit with 4 mobile leaves provides for the use of a connection bar fixed between the left support carriage of the slow moving leaf on the right side of the beam and a special return carriage connected to the traction belt. The carriage connection bar must be cut and drilled following the dimensions shown in the figure above and fixed to the carriages using the screws.

**Dimensional table (in mm) of the telescopic doors with four moving leaves:**

BEAM LENGTH WITHOUT SIDE COVERS	FREE PASSAGE NO SEALS	LEAF WIDTH	LENGTH OF THE CONNECTING BEAM	HOLE SPACING OF THE CONNECTING BEAM	ACCESSORI INSTALLABILI		DIMENSION WITH SIDES
					BATTERY	ELECTRIC LOCK	
LT	PL	LA	LR	LF			
2500	1636,0	432,0	288	274	-	-	2512
2550	1669,3	440,3	296	282	-	-	2562
2750	1802,7	473,7	330	316	-	-	2762
2950	1936,0	507,0	363	349	-	-	2962
3150	2069,3	540,3	396	382	-	-	3162
3350	2202,7	573,7	430	416	X	-	3362
3550	2336,0	607,0	463	449	X	-	3562
3750	2469,3	640,3	496	482	X	-	3762
3950	2602,7	673,7	530	516	X	-	3962
4150	2736,0	707,0	563	549	X	-	4162
4350	2869,3	740,3	596	582	X	-	4362
4550	3002,7	773,7	630	616	X	-	4562
4750	3136,0	807,0	663	649	X	-	4762
4950	3269,3	840,3	696	682	X	-	4962
5150	3402,7	873,7	730	716	X	-	5162
5350	3536,0	907,0	763	749	X	-	5362
5550	3669,3	940,3	796	782	X	-	5562
5750	3802,7	973,7	830	816	X	-	5762
5950	3936,0	1007,0	863	849	X	-	5962
6150	4069,3	1040,3	896	882	X	-	6162
6350	4202,7	1073,7	930	916	X	-	6362
6500	4302,7	1098,7	955	941	X	-	6512

**DIMENSION WITH SIDES**

Calculation of LT when PL is known

$$LT = \frac{PL - G + 4S}{2}$$

$$LA = \frac{PL - G}{4} + S$$

Calculation of PL when LT is known

$$PL = \frac{2 LT + G - 4S}{3}$$

$$LR = LA - S - 121$$

$$LF = LA - S - 135$$

Below are some examples of telescopic sliding doors calculated by assuming a leaf overlap  $S = 23mm$  and a final stop

$G = 0mm$  each one with its relative installable accessories

## 5. INSTALLATION

### 5.1 REAR CROSSPIECE ANCHORING

The crosspiece must be fixed to a flat surface, solid enough for the weight of the leaves that will be used. If the wall or support you are using does not meet these characteristics, a suitable iron tube must be adopted as the **crosspiece is not self-supporting**. We recommend you use a spirit level to avoid an assembly not level with the crosspiece.


- Fasten the anchoring profile (*fig. 1*) to the wall or support using M8 steel plugs and equivalent. The fixing points must be **distributed every 600 mm**.

- Undo the screws connecting the transmission belts to the carriages. (*fig. 2*)

- Unscrew the end and intermediate screws and separate the front beam from the rear beam. (*fig. 3*)

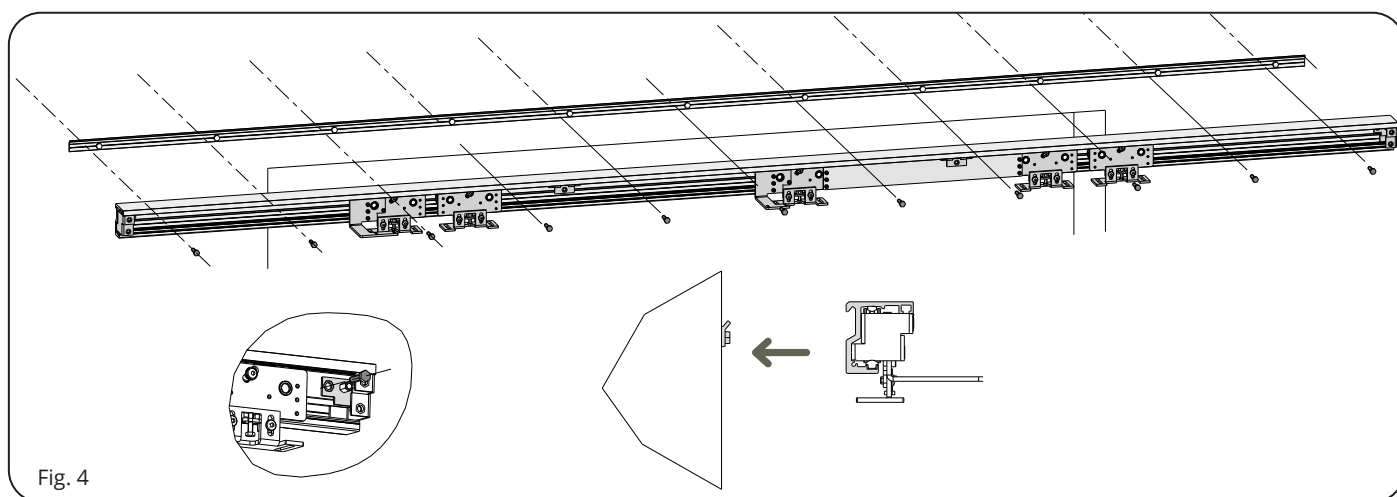
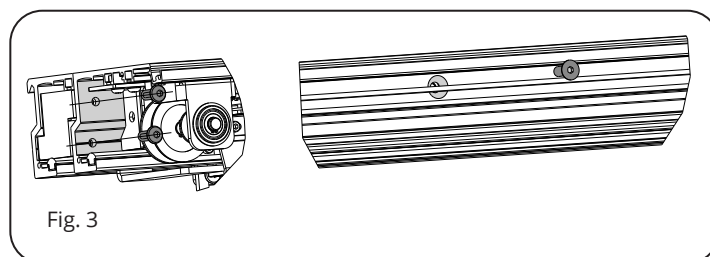
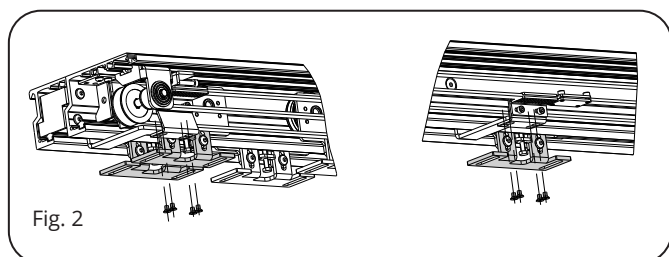
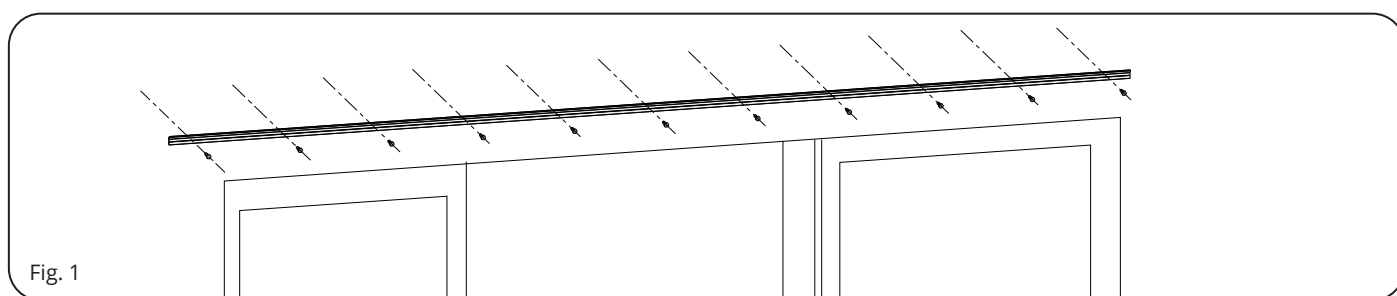
At this point, drill the beam from behind by placing it on two trestles so as **not to compromise the sliding track**. The fixing points must be **distributed every 600 mm**.

- Position the rear beam on the fixing profile and anchor it to the wall with screws and plugs. (*fig. 4*)

 **During the drilling of the beam and the wall, be careful not to damage the sliding track (C) as it would compromise the operation and quietness of the automation.**

 **Once the beam has been fixed, clean the sliding area affected by the drilling residues using a brush or a small vacuum cleaner.**

 **If there are obstacles to the right or left of the automatic door, fit the side caps (D) before fixing the beam to the wall.**



### 5.2 ANCHORING THE LEAVES TO THE CARRIAGES AND ADJUSTMENT

1) Unscrew the two screws (A) of each carriage and remove its mobile part (C) as described in *figure 5A*.

2) Fasten the moving parts (C) to the sliding leaves on the leaf opening side.

N.B.: In order to allow the leaves to overlap correctly, these moving parts must be fixed at a distance of 95 mm from the edge of the leaf opening side as described in *figure 5B*.

3) Fasten the moving parts (C) to the sliding leaves on the leaf-closing side.

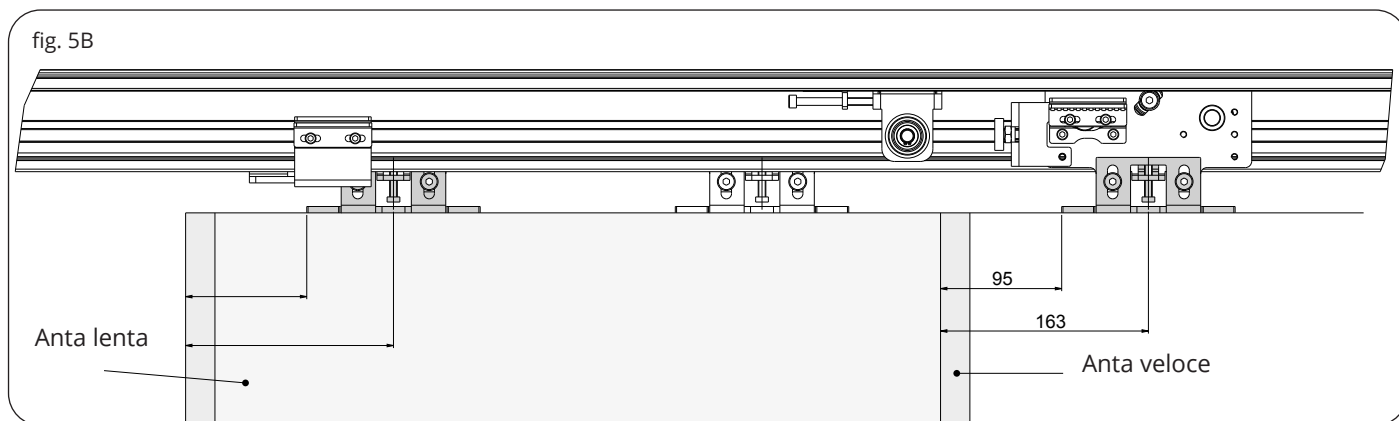
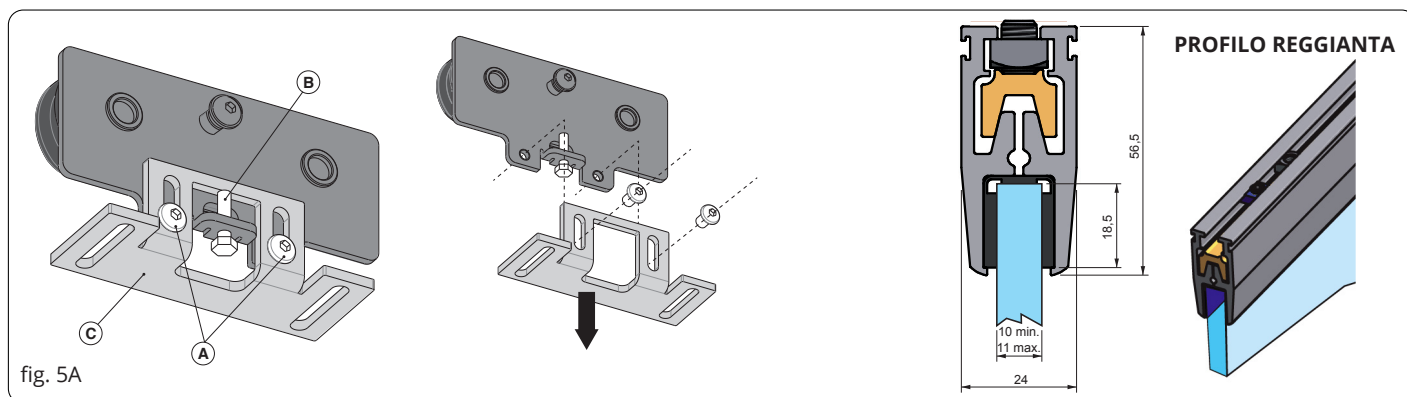
N.B.: Compatibly with the accessories installed, fix the moving parts at a distance from the closing side edge as much as possible equal to the opening side ones, so as to obtain a good balance of the leaf weight on the carriages;

4) Hang the leaves on the carriages and screw the screws (A) in without tightening them.



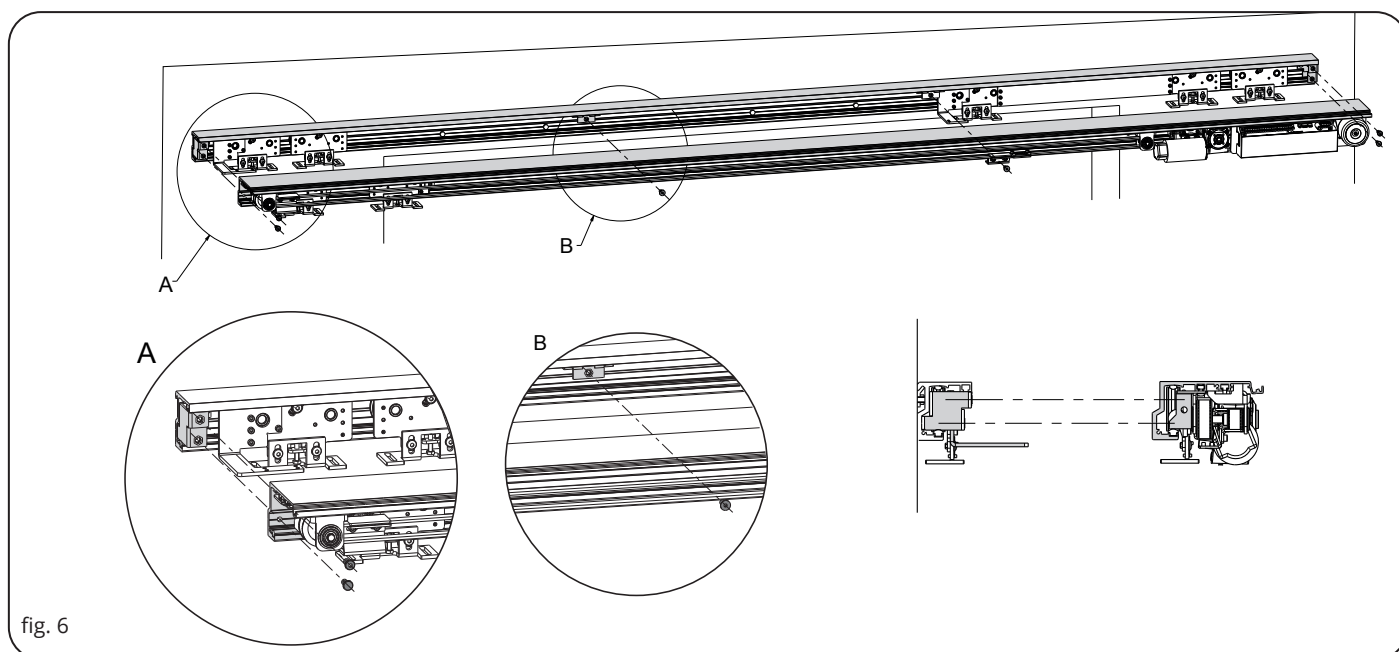
- 5) Once the desired height of the leaf has been adjusted using the adjusting screw (B) tighten the two screws (A).  
For the automation to operate correctly, it is important that the mobile leaf is perpendicular to the crosspiece.

**!** For a good functioning of the automation it is important that the mobile leaf is perpendicular to the crosspiece.



### 5.3 FRONT CROSSPIECE ANCHORING

Position the front beam on the rear beam and secure it with the end and intermediate screws (Fig. 6). Then retighten the screws connecting the transmission belts to the carriages (fig. 2) and finally fit the adjustable brackets of the carriages on the front leaves and then fasten them to the carriages of the front beam (fig. 5)



### 6. LIMIT STOP POSITIONING ON T-WAY2S / T-WAY2D / T-WAY4

The braking pads must be adjusted so that both of them, in the closing and in the opening phase, block the carriages before the mobile leaf impacts anything else (the wall, a window etc.). They are also used by the microprocessor to acquire the limit stop position in case the mains voltage fails and the battery is not inserted.

 When adjusting the brake pad during opening, keep in mind that during normal operation, the moving leaf stops 5 mm before impacting the pad (excluding the first manoeuvre after a power failure).

### 6.1 OPENING LIMIT STOP T-WAY2S - T-WAY2D - T-WAY4(fig. 7A)

- 1) Fix the appropriate limit stops on the mobile carriages.
- 2) Adjust the position of the closing limit stop by loosening the nut.
- 3) Adjust the pad to the desired position and tighten the nut.

### 6.2 CLOSING LIMIT STOP T-WAY2S - T-WAY2D W/O ELECTRIC LOCK (fig. 7B)

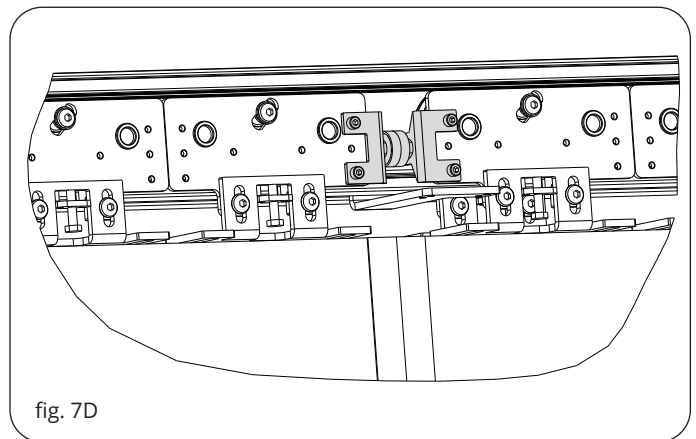
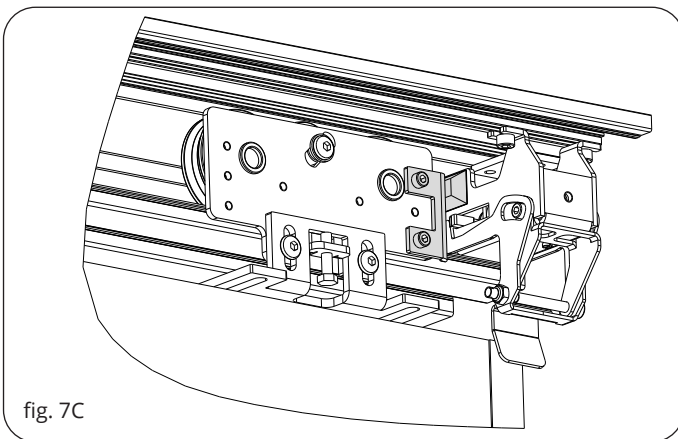
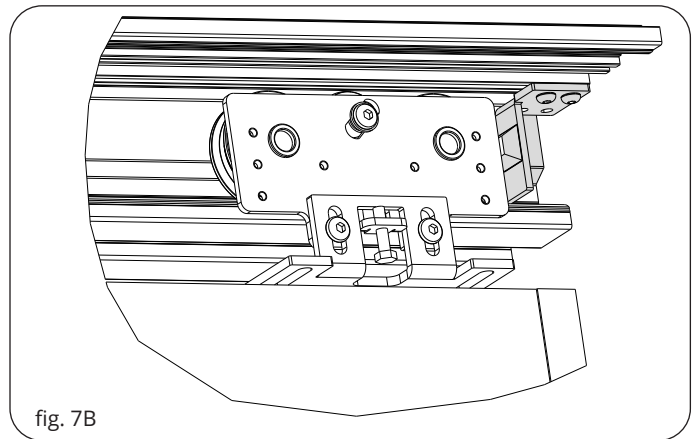
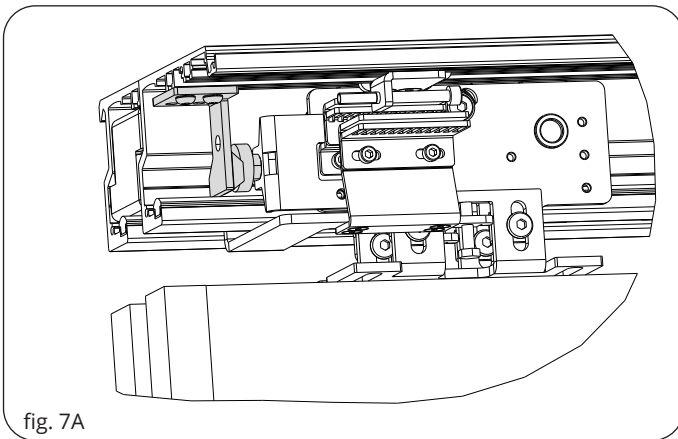
- 1) Fix the appropriate limit stops on the mobile carriages.
- 2) Adjust the position of the closing limit stop by loosening the screws.
- 3) Move it to the desired position and tighten the screws.

### 6.3 CLOSING LIMIT STOP T-WAY2S - T-WAY2D WITH ELECTRIC LOCK (FIG. 7C) (fig. 7C)

- 1) Fix the appropriate limit stops on the mobile carriages.
- 2) Adjust the position of the carriage until it rests on the electric block body.

### 6.4 CLOSING LIMIT STOP T-WAY4 (fig. 7D)

- 1) Fix the appropriate limit stops on the mobile carriages.
- 2) Adjust the position of the closing limit stop pads by loosening the screws.
- 3) Move them to the desired position.



## 7. ADJUSTMENT OF THE BELT TENSION AND EASY OPENING OF THE GUARD

o adjust the **tension of the slow leaf belt** (fig. 8), loosen the fixing screws of the two-pulley tightener, then act on the adjustment screw and tighten the screws

To adjust the **tension of the slow leaf belt** (fig. 9), loosen the fixing screws of the single-pulley tightener, act on the adjustment screw and tighten the screws

 For a correct belt tension always tighten the fast leaf belt first and the slow leaf belt later

**Facilitated opening for maintenance.**

Open the guard and position it in the appropriate seat as in **figure 10**.

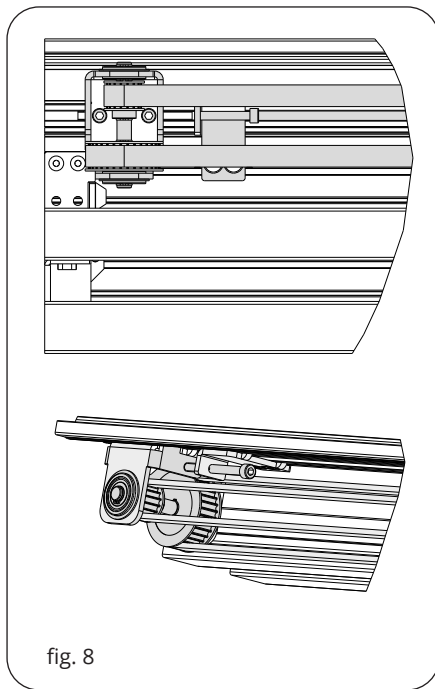


fig. 8

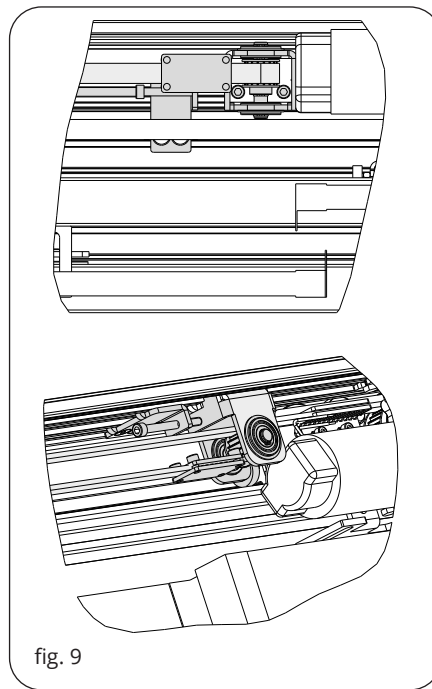


fig. 9

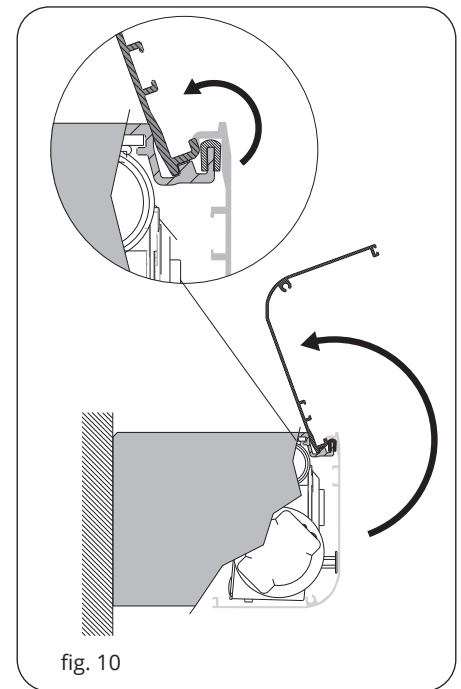


fig. 10

## 8. ASSEMBLY OF A TWO-LEAF AUTOMATIC TELESCOPIC DOOR KIT (T-WAY2D, T-WAY2S) FIG. 11

**!** The following images show the assembly sequence for a door opening to the left. The principle is equally valid also for doors opening to the right

- 1) Cut the rear beam (LT) to size and drill the holes as in *figure 11-A*.
- 2) Insert the intermediate beam fastenings and fix them with the screws in positions equidistant from each other and from the ends (*fig. 11-B*)
- 3) Fit the noise protection profile and the sliding rail on the rear beam. Insert the rear leaf carriages and the right and left side beam fastenings, then lock them in position with the lower and rear screws. (*fig. 11-C*)
- 4) Fasten the connection bracket to the outermost carriage (*fig. 11-D*)
- 5) Cut the front beam (LT) to size and drill the end and intermediate holes. Then drill the flares as shown in *figure 11-E*

**!** **The intermediate holes must match the intermediate beam fastenings**

- 6) Fit the noise protection profile and the sliding rail on the rear beam. Next fasten the front beam to the rear one and tighten all the screws properly. (*fig. 11-F*)
- 7) Prepare the front leaf carriages fitting the opening limit stop extension and if necessary the leaf locking bracket (for versions with electric lock), then insert them into the front beam. (*fig. 11-G*)

**!** **The locking bracket is fitted only in the versions with electric lock**

- 8) Install the gearmotor, control unit, pulley transmissions, belts and accessories on the front beam according to the configuration of the t-way door, see assembly diagrams (paragraph 4) (*fig. 11-H*)
  - Fit the tightener and the two-belt pulley transmission by inserting them in the track and tightening the screws (*fig. 11-H.1*)
  - Fit the tightener and the slow leaf belt pulley transmission by inserting them in the track and tightening the screws (*fig. 11-H.2*)
  - Fit the gearmotor as shown in *figure 11-H.3*
  - Fit the control unit as shown in *figure 11-H.4*
  - Fit the electric lock and related manual release accessories 11-H.5
  - Assembly of opening limit stop with rail stop and closing limit stop 11-H.6
- 9) Fast leaf belt installation (*fig. 11-i*)
  - Fasten the belt support bracket to the outermost carriage as shown in figure 11-i.1
  - Wrap the edges of the belt around the motor pulley, around the large pulley of the double pulley transmission and secure it to the carriage using the toothed bracket (*fig. 11-i.2*). Then bring the external carriage to the opening limit stop.
- 110) Installing the slow leaf belt (*fig. 11-J*)
  - Wrap the edges of the belt around the small pulley of the double pulley transmission and around the pulley of the single pulley transmission. Fasten the belt with the front carriage to the opening limit stop using the belt joint. (*fig. 11-J.1*)
  - !** Fasten the belt joint as close as possible to the single pulley transmission
    - Fit the slow leaf belt connection bracket (*fig. 11-J.2*)
    - Fasten the belt using the special toothed fixing bracket. Then lock the belt on the carriage taking care to keep the two front and rear carriages well aligned (*fig. 11-J.3*)
- 11) Fit the side covers or the manual release accessories (*fig. 11-K*)

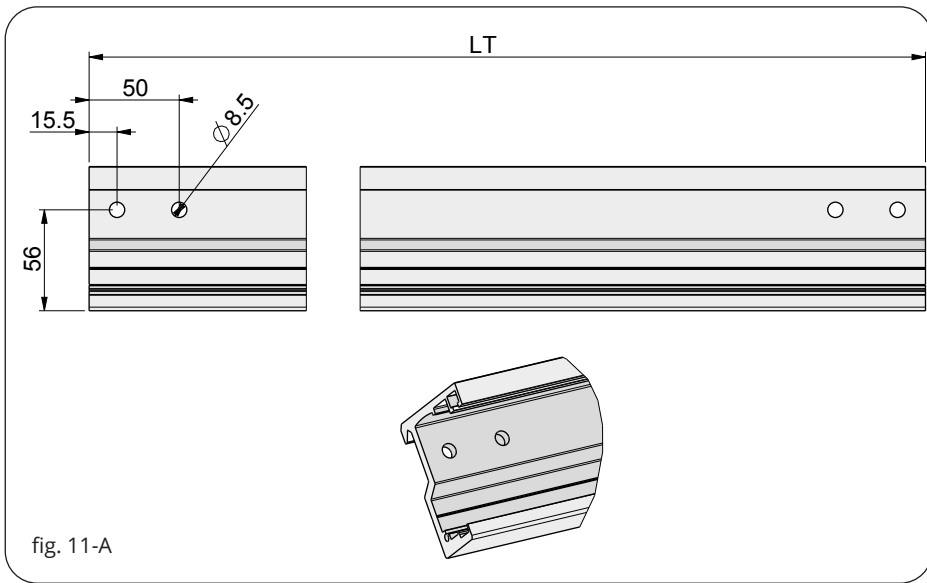


fig. 11-A

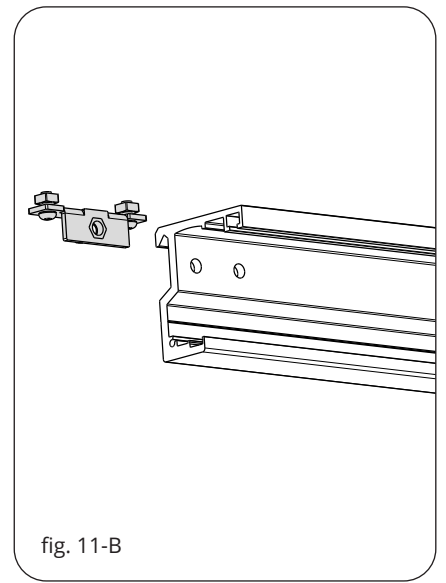


fig. 11-B

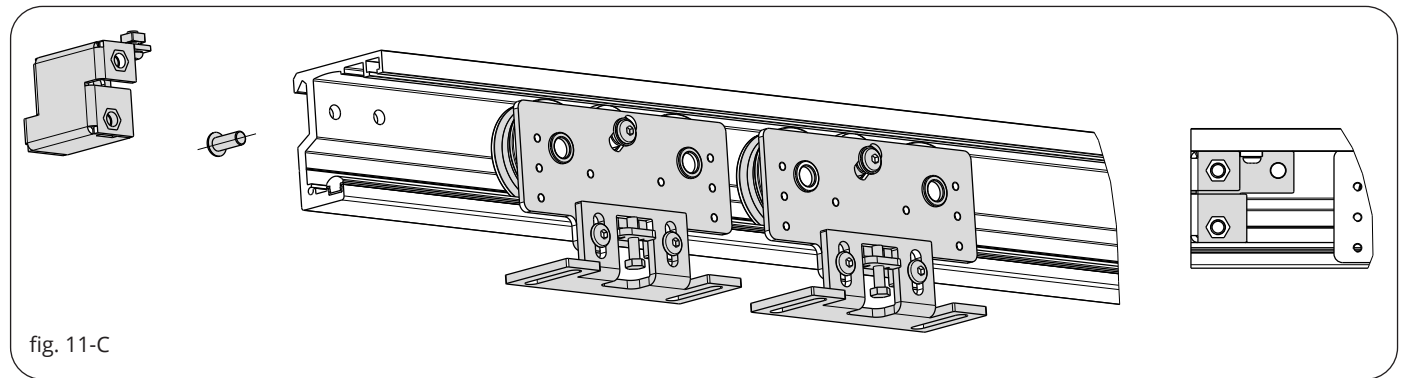


fig. 11-C

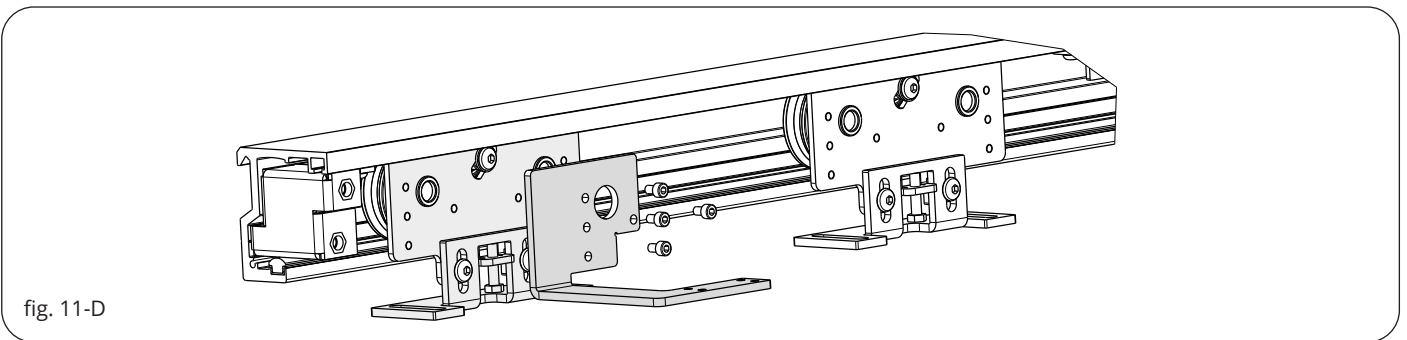


fig. 11-D

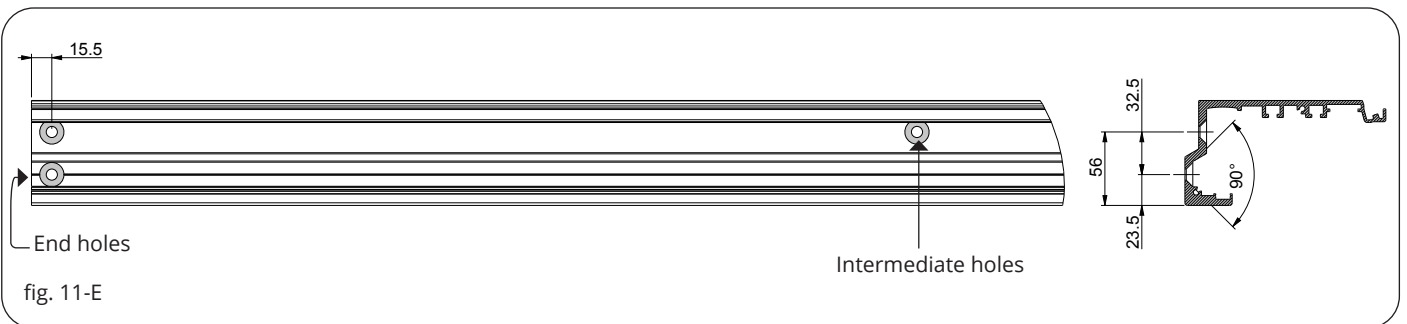


fig. 11-E

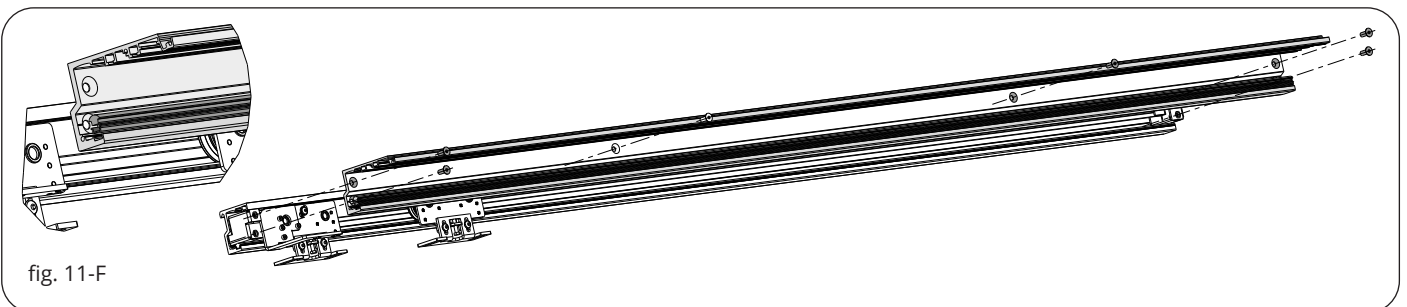
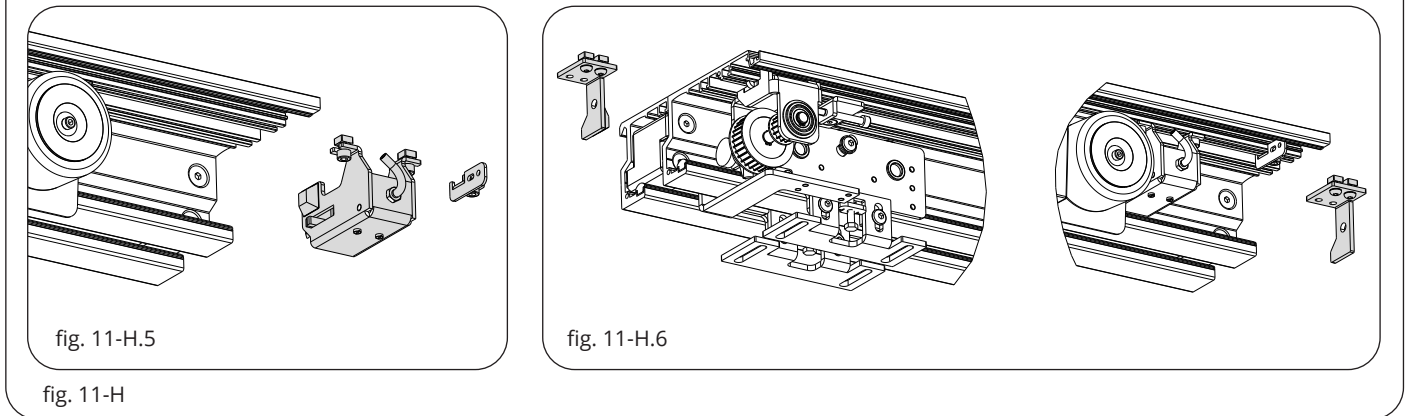
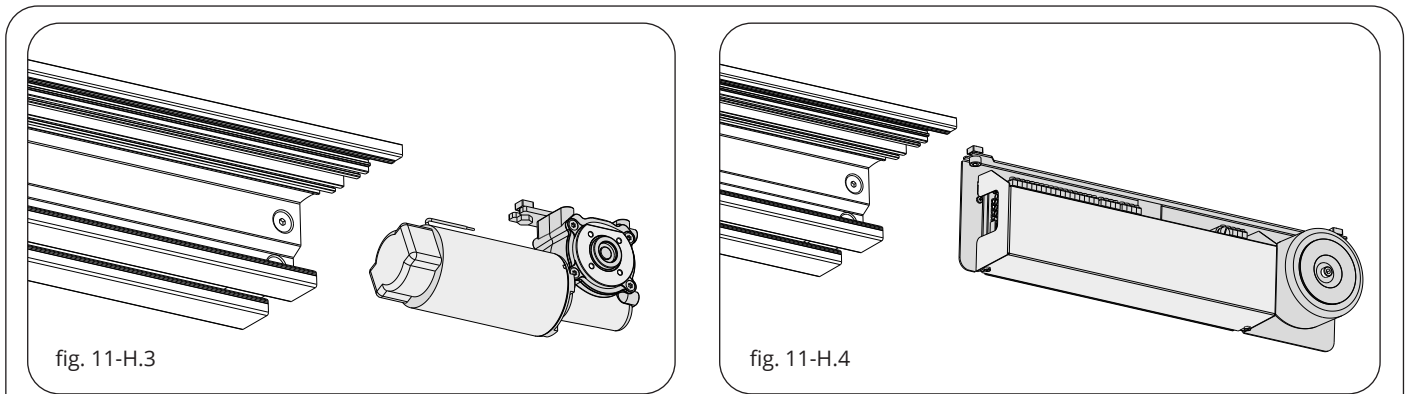
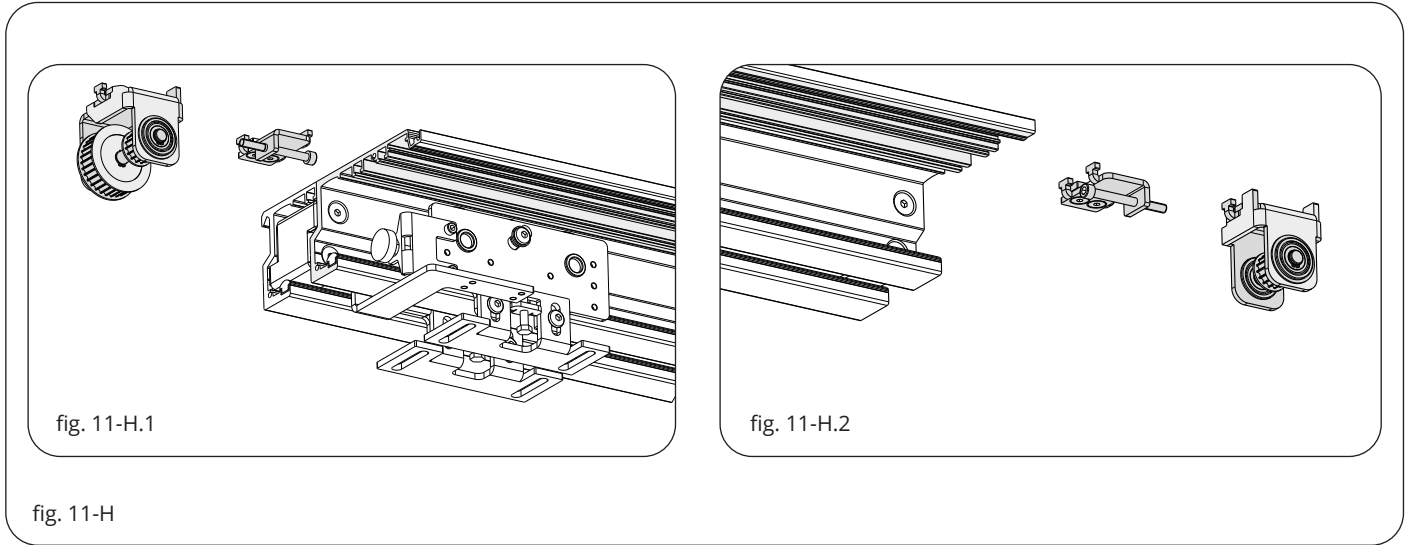
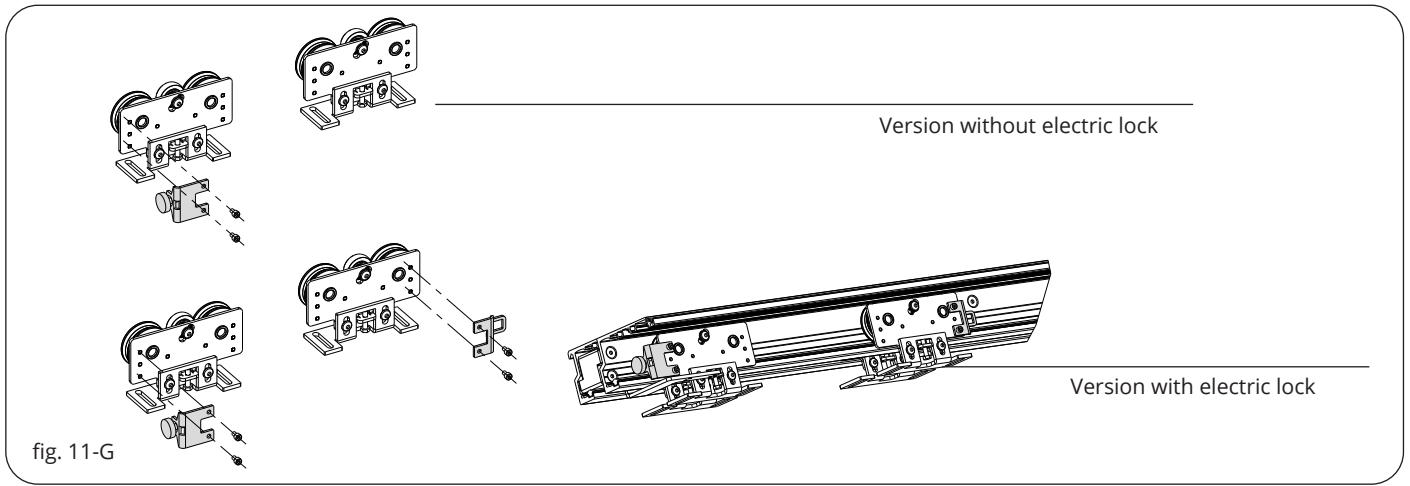


fig. 11-F



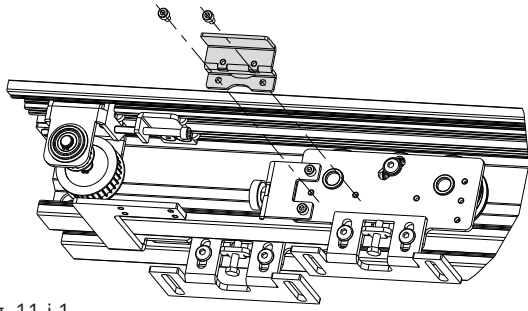


fig. 11-i.1

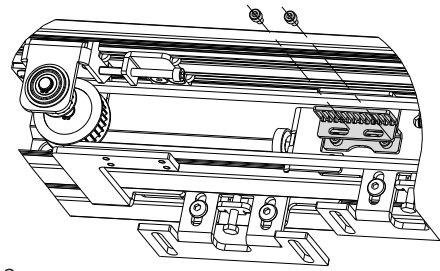


fig. 11-i.2

fig. 11-i

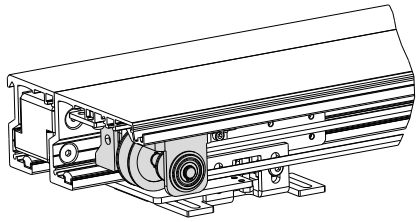


fig. 11-j.1

Belt joint

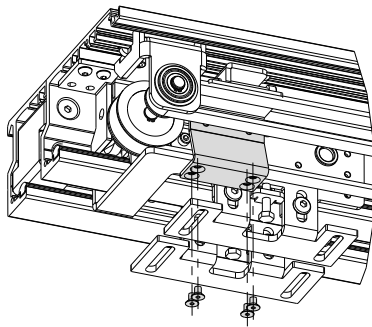
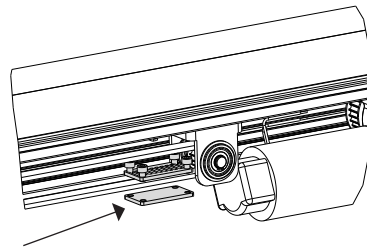


fig. 11-j.2

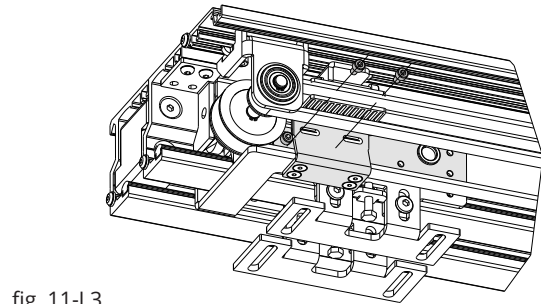


fig. 11-j.3

fig. 11-j

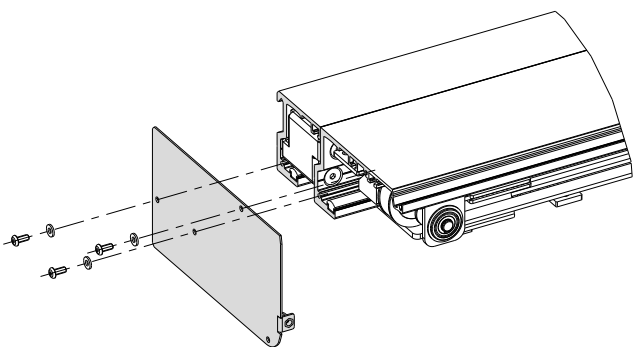
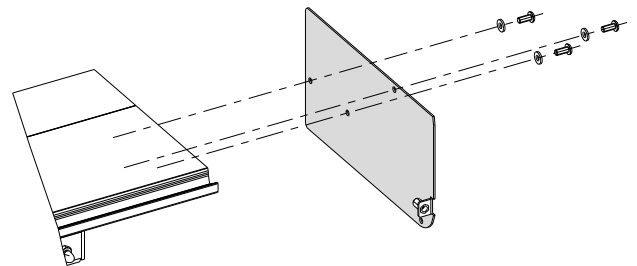


fig. 11-k



## 9. ASSEMBLY OF A FOUR-LEAF AUTOMATIC TELESCOPIC DOOR KIT (T-WAY4) FIG. 12

**!** The assembly procedure of a T-WAY4 door is the same as that of a T-WAY2S. The same procedure is followed, with the variations made to the leaves with opening to the right

- 1) After preparing the rear beam and inserting the intermediate and lateral fastenings, insert 5 carriages, four of which are for the rear leaves and one is an auxiliary pulley transmission carriage for the movement of the door opening to the right. (*fig. 12-A*)
- 2) Fasten the connection bracket to the outermost carriage of the left rear leaf (*fig. 12-B*)
- 3) Cut and drill the connection bar to size and fix it between the auxiliary carriage and the internal carriage of the right rear leaf. Fasten the t-way4 connection bracket to the auxiliary carriage. (*fig. 12-C*)

**!** Do not invert the connection brackets



4) Fit the front beam tightening all the screws. Then fit the opening limit stop extension and the closing limit stop on the front carriages and then fit them onto the front beam (*fig. 12-D*)

5) Fasten the gearmotor, control unit, two-belt pulley transmission and single pulley transmission with their relative tighteners and the opening limit stops to the front beam according to the door configuration. (*fig. 12-E*)

6) Fast leaf belt installation (*fig. 12-F*)

- Fasten the belt support brackets on the carriages as in *figure 12-F.1* and arrange the carriages of both leaves so that the internal carriages and the auxiliary carriage are in the closed leaf position (beam centreline)

- Wrap the edges of the belt around the motor pulley, the large pulley of the double pulley transmission and secure it to the internal carriage of the left leaf using the toothed bracket. Then arrange the carriages of both leaves so that the internal carriages are in the closed leaf position. Finally, connect the belt to the internal carriage of the front right leaf using the toothed bracket. (*fig. 12-F.2*)

7) Installing the slow leaf belt (*fig. 12-G*)

- Bring the carriages to the open leaf position, wrap the edges of the belt around the small pulley of the double pulley transmission and around the pulley of the single pulley transmission. Then fix it using the belt joint. (*fig. 12-G.1*)

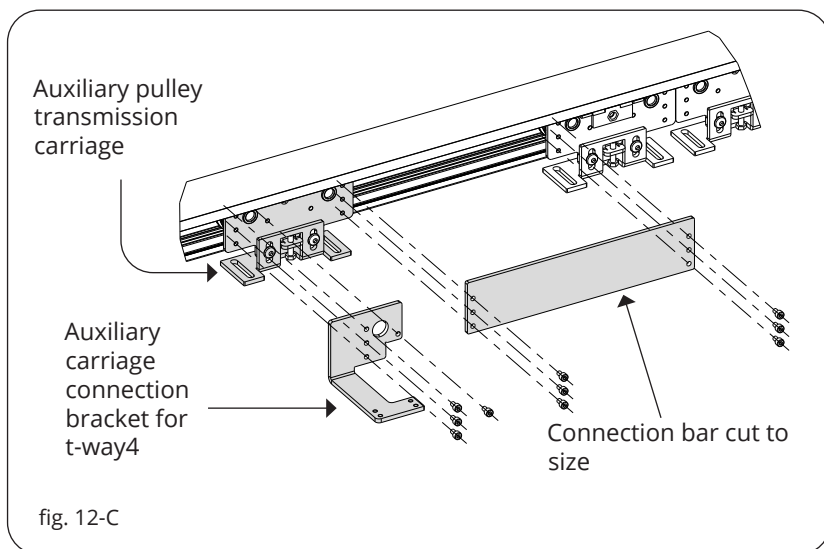
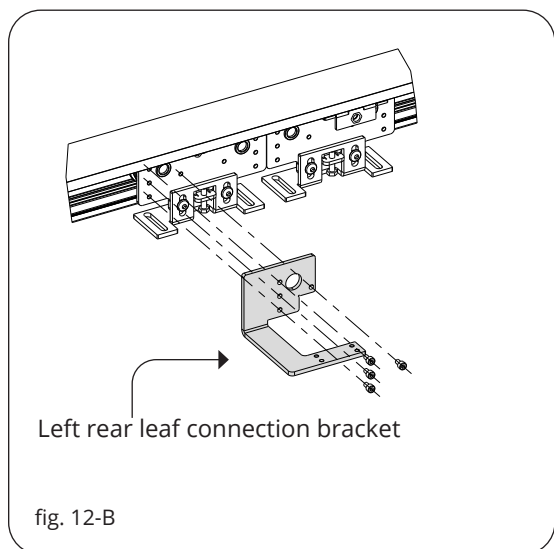
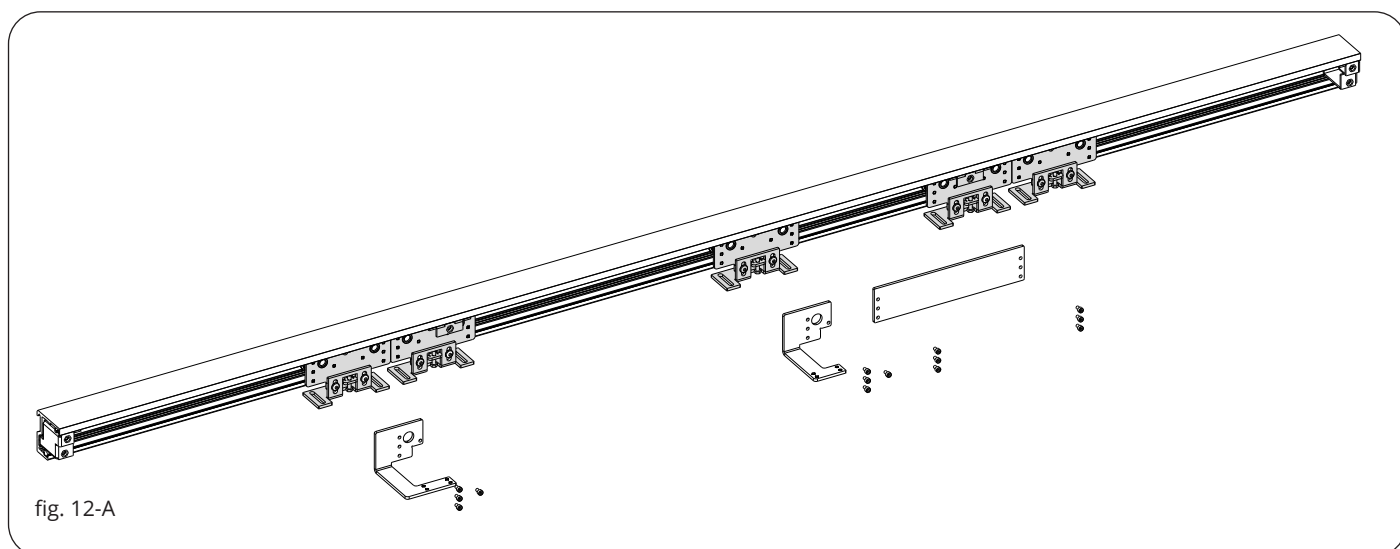


Fasten the belt joint as close as possible to the single pulley transmission

- Fit the left and right slow leaf belt connection brackets (*fig. 12-G.2*)

- Fasten the belt using the special toothed bracket, then lock the belt on the carriages taking care to keep the carriages of the front and rear leaves well aligned (*fig. 12-G.3*)

8) Fit the side covers (*fig. 11-K*)





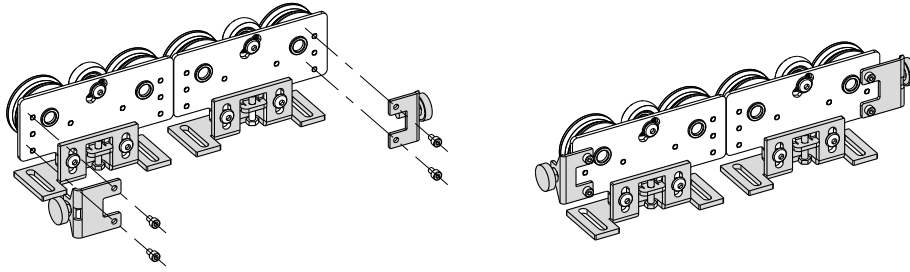


fig. 12-D

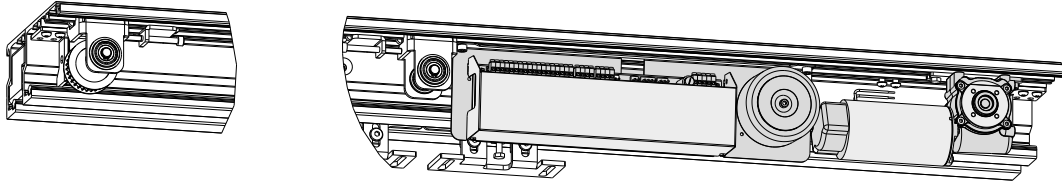


fig. 12-E

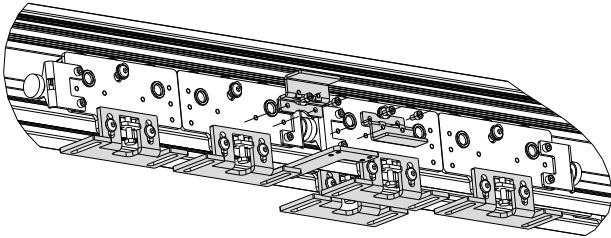


fig. 12-F.1

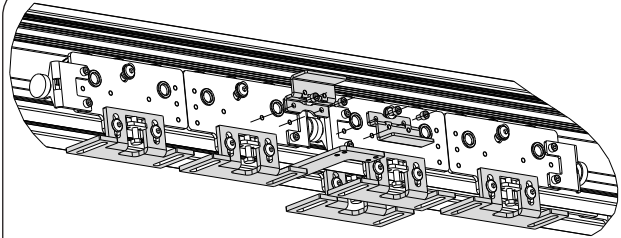


fig. 12-F.2

fig. 12-F

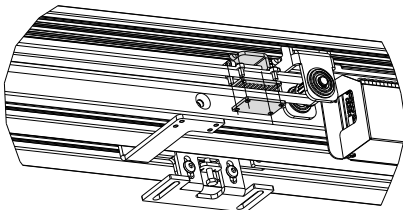


fig. 12-G.1

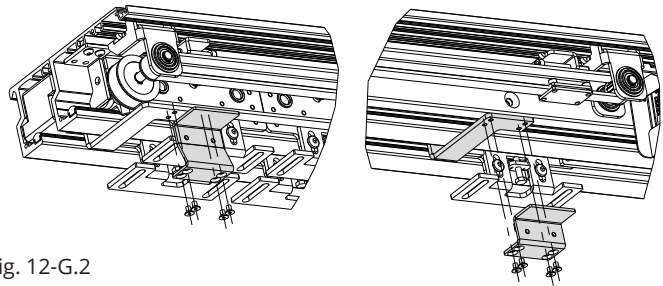


fig. 12-G.2

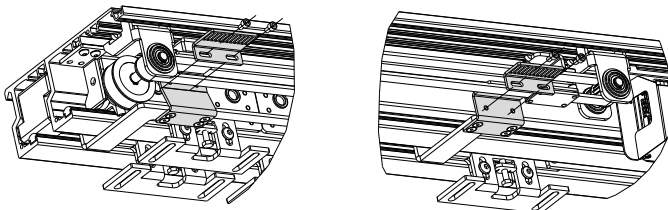


fig. 12-G.3

fig. 12-G

## GUARANTEE: GENERAL CONDITIONS

TAU guarantees this product for a period of 24 months from the date of purchase (as proved by the sales document, receipt or invoice).

This guarantee covers the repair or replacement at TAU's expense (ex-works TAU: packing and transport at the customer's expense) of parts that TAU recognises as being faulty as regards workmanship or materials.

For visits to the customer's facilities, also during the guarantee period, a "Call-out fee" will be charged for travelling expenses and labour costs.

### The guarantee does not cover the following cases:

- If the fault was caused by an installation that was not performed according to the instructions provided by the company inside the product pack.
- If original TAU spare parts were not used to install the product.
- If the damage was caused by an Act of God, tampering, overvoltage, incorrect power supply, improper repairs, incorrect installation, or other reasons that do not depend on TAU.
- If a specialised maintenance man does not carry out routine maintenance operations according to the instructions provided by the company inside the product pack.
- Wear of components.

The repair or replacement of pieces under guarantee does not extend the guarantee period.

In case of industrial, professional or similar use, this warranty is valid for 12 months.

## MANUFACTURER'S DECLARATION OF INCORPORATION (in accordance with European Directive 2006/42/EC App. II.B)

Manufacturer:

TAU S.r.l.

Address:

Via E. Fermi, 43 - 36066 Sandrigo (Vi) ITALY

**Declares** under its sole responsibility, that the product:

designed for automatic movement of:

for use in a:

complete with:

*Electromechanical actuator*

*Pedestrian Sliding Doors*

*Residential / Communities environment*

*Electronic control unit (and any electromechanical release/  
locking device S-10DOORBLOC)*

Model: T-WAY

Type: T-WAY

Serial number:

SEE SILVER LABEL

Commercial name:

AUTOMATIC SLIDING DOOR

Has been produced for incorporation on an access point (*pedestrian sliding door*) or for assembly with other devices used to move such an access point, to constitute a machine in accordance with the Machinery Directive 2006/42/EC.

**Also declares** that this product complies with the essential safety requirements of the following EEC directives:

- **LVD 2014/35UE Low Voltage Directive**

-

**EMC 2014/30UE Electromagnetic Compatibility Directive**

The following standards and technical specifications are applied:

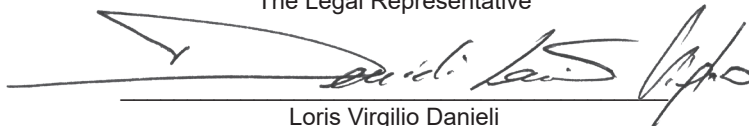
EN 13849-1, EN 13849-2 (operator in category 2, PL = d), EN 61000-6-2, EN 61000-6-3, EN 60335-1, EN16005

Also declares that **it is not permitted to start up the machine** until the machine in which it is incorporated or of which it will be a component has been identified with the relative declaration of conformity with the provisions of Directive 2006/42/EC.

The manufacturer undertakes to provide, on sufficiently motivated request by national authorities, all information pertinent to the quasi-machinery.

Sandrigo, 15/05/2017

The Legal Representative



Loris Virgilio Danieli

Name and address of person authorised to draw up all pertinent technical documentation:

Loris Virgilio Danieli - via E. Fermi, 43 - 36066 Sandrigo (Vi) Italy







Via Enrico Fermi, 43 - 36066 Sandrigo (VI) - Italy  
Tel +39 0444 750190 - Fax +39 0444 750376  
info@tauitalia.com - www.tauitalia.com



Foglietto illustrativo  
CARTA - Raccolta differenziata. Segui le indicazioni del tuo comune. (N.B.: togliere i punti metallici)

Instruction leaflet  
PAPER - Waste separation. Follow the instructions of your city hall. (Note: remove the staples)