

# DOOR OPENER **T-SIDE-L**

**DC**  
MOTOR

For doors up to  
250 Kg

Opening time  
4-12 s



## **10T-SIDE-L**

**NEW**

Automation for single-leaf door max. 250 Kg, motorized opening and closing, wind stop. Max. length of the door 1500 mm.

## **10T-SIDE-LS**

**NEW**

Automation for single-leaf door max. 250 Kg, motorized opening and spring closing system, wind stop. Max. length of the door 1500 mm.



**Accessories for  
T-SIDEL series**  
Page 182

## FEATURES:

- commercial use
- max. opening 105°
- for door panels up to 250 Kg and 1500 mm
- built-in electronic control unit
- single or double swing leaf installation
- in accordance with EN 16005 standards

## PROS:

- intensive use
- ideal for offices, supermarkets, hospitals and public entrances
- can automate most swing doors, new or existing
- easy to install without modifying the window
- installation with "push" or "pull" arm
- reversal of movement in case of an obstacle
- wind stop: prevents the door from moving because of the strong wind (external door) or drafts (internal door)
- auto-learning of the stroke through optical encoder



## MOTOR

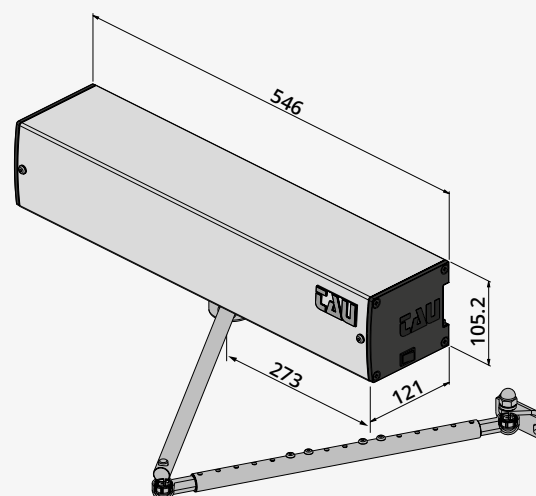
Motor with double belt reduction for greater power, it is compact and extremely silent. It is equipped with a 100 pulse/revolution encoder to guarantee maximum safety in the event of obstacle detection.

## Technical features

### T-SIDE-L / T-SIDE-LS

Maximum leaf length	1500 mm
Max. gate leaf weight	250 Kg
Max automation size	546 x 105.2 x 121 mm
Automation weight	9,5 / 10 Kg
Separation from the mains	Main switch in the automation
Power supply	230 V AC ( 50 - 60 Hz)
Absorbed power	140 W
Motor power supply	48 V DC
Power supply for external accessories	24 V DC
Opening speed	4 ÷ 12 s
Closing speed	5 ÷ 15 s
Max. opening	105°
Adjustable opening time	1 ÷ 30 s
Automatic opening time increase	Yes (with optional display)
Operating temperature	-20°C ÷ +55°C
Degree of protection	IP 31
Duty cycle	100% continuous use
Number of maneuvers	Test of 1,000,000 maneuvers
Safety test	Yes (with optional display)
Type of work	Residential - Public - Industrial
Control unit	DC18

## TECHNICAL DRAWINGS



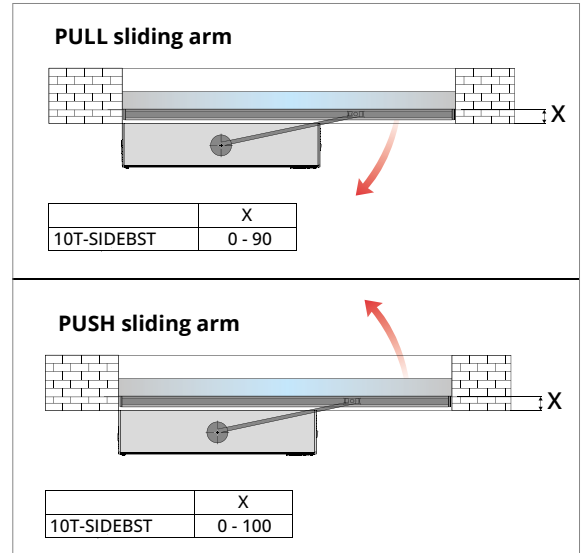
# ACCESSORIES

## PULL/PUSH SLIDING ARM



**10T-SIDEBST**  
Pull/push sliding arm

Length of door (mm)	PULL sliding arm		PUSH sliding arm	
	Max weight (kg) - T-SIDE	Max weight (kg) - T-SIDEL	Max weight (kg) - T-SIDE	Max weight (kg) - T-SIDEL
700	110	250	90	190
750	110	250	90	190
800	110	250	90	190
850	110	240	90	185
900	110	230	90	180
1000	100	210	87	165
1100	95	195	85	150
1200	-	165	-	140
1300	-	140	-	125
1400	-	120	-	115
1500	-	100	-	100

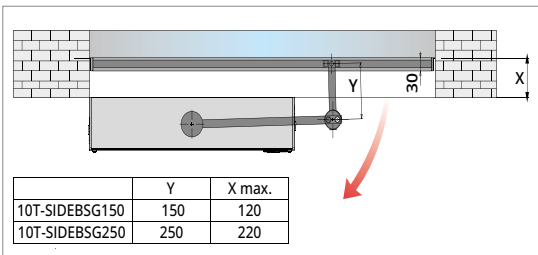


## ELBOW ARM (PULL)



**10T-SIDEBSG150**  
Elbow arm l = 150 mm

**10T-SIDEBSG250**  
Elbow arm l = 250 mm

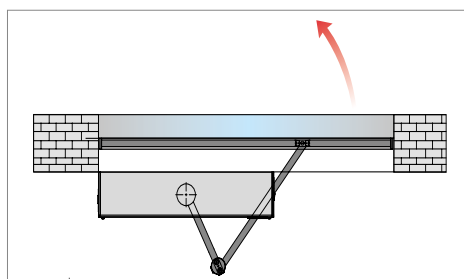


Length of door (mm)	Elbow arm (PULL)	
	Max weight (kg) - T-SIDE	Max weight (kg) - T-SIDEL
700	110	250
750	110	-
800	110	250
850	110	-
900	110	230
1000	100	210
1100	95	195
1200	-	165
1300	-	140
1400	-	120
1500	-	100

## PUSH ARTICULATED ARM



**10T-SIDEBSS**  
Push articulated arm



Length of door (mm)	PUSH articulated arm	
	Max weight (kg) - T-SIDE	Max weight (kg) - T-SIDEL
700	110	250
750	110	-
800	110	250
850	110	-
900	110	230
1000	110	210
1100	100	195
1200	-	165
1300	-	140
1400	-	120
1500	-	100

## PULL SLIDING ARM, LOWERED



**10T-SIDEBSTR**  
Pull sliding arm, lowered

NEW

Length of door (mm)	PULL sliding arm	
	Max weight (kg) - T-SIDE	Max weight (kg) - T-SIDEL
700	110	250
750	110	250
800	110	250
850	110	240
900	110	230
1000	100	210

Length of door (mm)	PUSH sliding arm	
	Max weight (kg) - T-SIDE	Max weight (kg) - T-SIDEL
1100	95	195
1200	-	165
1300	-	140
1400	-	120
1500	-	100

## ACCESSORIES



**S-10DOORSS340**  
Safety sensor for obstacle detection, 340 mm long

**S-10DOORSS1023T**  
Obstacle detection safety device, 1023 mm long



**S-10DOORRAD**  
Infrared radar for activation and safety. Wide/narrow field



**S-10DOORRADMU**  
Microwave radar detector, unidirectional, scanned area 4 m



**S-10T-SIDELFC**  
Key function selector



**S-10T-SIDELFC**  
Key function selector



**P-10T-SIDE00440**  
Extended conical pin h= 54 mm



**P-10T-SIDE00460**  
Extended conical pin h= 78 mm



**S-10LINEKIT2BRK**  
Aluminium cover for two BRINK openers, complete with cable for Master/Slave connection



**S-10DOORRAD2**  
Infrared radar for activation (up to 2.5 m) and safety with coverage of the movement area of the automatic door compliant with EN16005



**S-10DOORADM**  
Microwave radar detector, scanned area 4 m



**S-10DOORTL**  
Microwave, hygienic, touchless, automatic door activation switch, scanned area 4 m, 3 different faceplates included



**S-10T-SIDETD**  
Digital key pad



**S-10DOORSAL**  
Swing doors safety cover



**P-10T-SIDE00470**  
Extended conical pin h=102 mm