

DOOR OPENER **T-SIDE-G**

DC
MOTOR

For doors up to
110 Kg

Opening time
4-12 s



P-10T-SIDE-G

Automation for single-leaf door max. 110 Kg, motorized opening and closing. Max. length of the door 1100 mm.



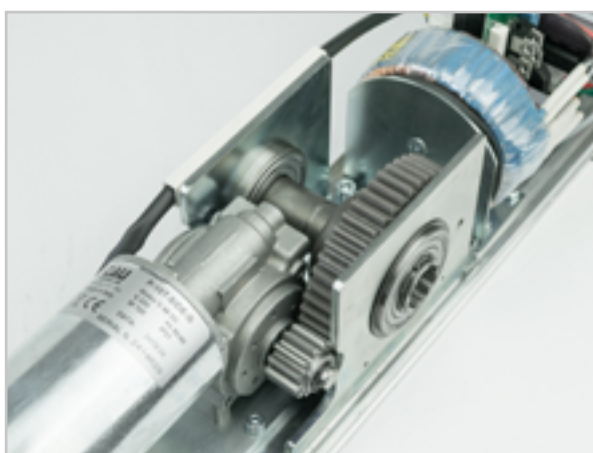
**Accessories for
P-10T-SIDE series**
Page 172

FEATURES:

- commercial use
- max. opening 105°
- for door panels up to 110 Kg and 1100 mm
- built-in electronic control unit
- single or double swing leaf installation
- in accordance with EN 16005 standards

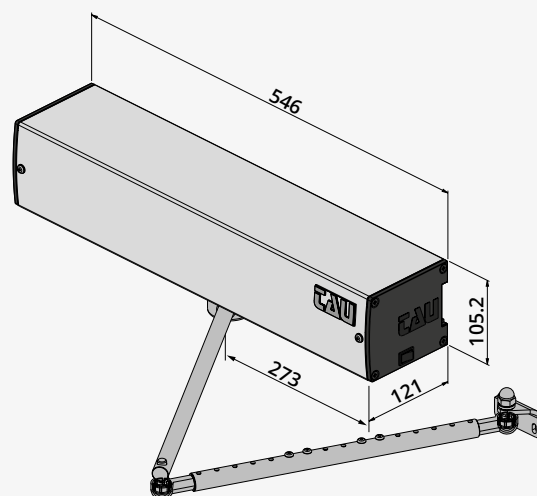
PROS:

- intensive use
- ideal for offices, supermarkets, hospitals and public entrances
- can automate most swing doors, new or existing
- easy to install without modifying the window
- installation with "push" or "pull" arm
- reversal of movement in case of an obstacle
- wind stop: prevents the door from moving because of the strong wind (external door) or drafts (internal door)
- auto-learning of the stroke through optical encoder

**MOTOR**

Compact and extremely silent motor, equipped with a 100 pulse/revolution encoder to guarantee maximum safety in case of obstacle detection.

Technical features	T-SIDE-G
Maximum leaf length	1100 mm
Max. gate leaf weight	110 Kg
Max automation size	546 x 105.2 x 121 mm
Automation weight	8,5 / 9 Kg
Separation from the mains	Main switch in the automation
Power supply	230 V AC (50 - 60 Hz)
Absorbed power	140 W
Motor power supply	48 V DC
Power supply for external accessories	24 V DC
Opening speed	4 ÷ 12 s
Closing speed	5 ÷ 15 s
Max. opening	105°
Adjustable opening time	1 ÷ 30 s
Automatic opening time increase	Yes (with optional display)
Operating temperature	-20°C ÷ +55°C
Degree of protection	IP 31
Duty cycle	100% continuous use
Number of maneuvers	Test of 1,000,000 maneuvers
Safety test	Yes (with optional display)
Type of work	Residential - Public - Industrial
Control unit	DC18

TECHNICAL DRAWINGS

ACCESSORIES

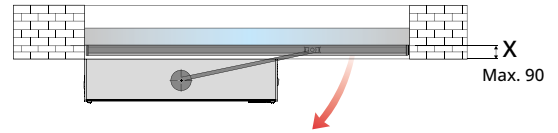
PULL/PUSH SLIDING ARM



P-10T-SIDEBST
Pull/push sliding arm

Length of door (mm)	PULL sliding arm		PUSH sliding arm	
	Max weight (kg) - P-10T-SIDE	Max weight (kg) - P-10T-SIDEL	Max weight (kg) - P-10T-SIDE	Max weight (kg) P-10T-SIDEL
700	110	250	90	190
750	110	250	90	190
800	110	250	90	190
850	110	240	90	185
900	110	230	90	180
1000	100	210	87	165
1100	95	195	85	150
1200	-	165	-	140
1300	-	140	-	125
1400	-	120	-	115
1500	-	100	-	100

PULL sliding arm



	X
10T-SIDEBST	0 - 90

PUSH sliding arm



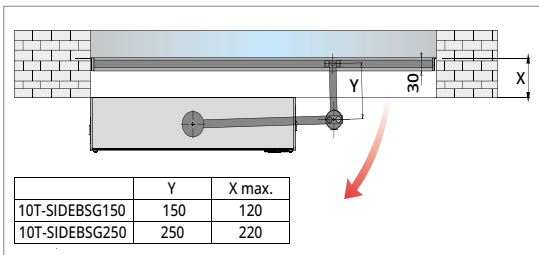
	X
10T-SIDEBST	0 - 100

ELBOW ARM (PULL)



P-10T-SIDEBSG150
Elbow arm l = 150 mm

P-10T-SIDEBSG250
Elbow arm l = 250 mm

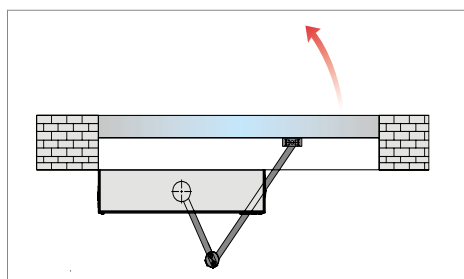


Length of door (mm)	Elbow arm (PULL)	
	Max weight (kg) - P-10T-SIDE	Max weight (kg) P-10T-SIDEL
700	110	250
750	110	-
800	110	250
850	110	-
900	110	230
1000	100	210
1100	95	195
1200	-	165
1300	-	140
1400	-	120
1500	-	100

PUSH ARTICULATED ARM



P-10T-SIDEBSS
Push articulated arm



Length of door (mm)	PUSH articulated arm	
	Max weight (kg) - P-10T-SIDE	Max weight (kg) P-10T-SIDEL
700	110	250
750	110	-
800	110	250
850	110	-
900	110	230
1000	110	210
1100	100	195
1200	-	165
1300	-	140
1400	-	120
1500	-	100

PULL SLIDING ARM, LOWERED



P-10T-SIDEBSTR
Pull sliding arm, lowered

NEW

Length of door (mm)	PULL sliding arm	
	Max weight (kg) - P-10T-SIDE	Max weight (kg) - P-10T-SIDEL
700	110	250
750	110	250
800	110	250
850	110	240
900	110	230

Length of door (mm)	1000	100	210
	PUSH sliding arm		
	Max weight (kg) - P-10T-SIDE	Max weight (kg) - P-10T-SIDEL	
1100	95	195	
1200	-	165	
1300	-	140	
1400	-	120	
1500	-	100	

ACCESSORIES



S-10DOORSS340
Safety sensor for obstacle detection, 340 mm long

S-10DOORSS1023T
Obstacle detection safety device, 1023 mm long



S-10DOORRAD
Infrared radar for activation and safety. Wide/narrow field



S-10DOORRADMU
Microwave radar detector, unidirectional, scanned area 4 m



S-10T-SIDELFC
Key function selector



S-10T-SIDELFC
Key function selector



P-10T-SIDE00440
Extended conical pin h= 54 mm



P-10T-SIDE00460
Extended conical pin h= 78 mm



S-10LINEKIT2BRK
Aluminium cover for two BRINK openers, complete with cable for Master/Slave connection



S-10DOORRAD2
Infrared radar for activation (up to 2.5 m) and safety with coverage of the movement area of the automatic door compliant with EN16005



S-10DOORADM
Microwave radar detector, scanned area 4 m



S-10DOORTL
Microwave, hygienic, touchless, automatic door activation switch, scanned area 4 m, 3 different faceplates included



S-10T-SIDETD
Digital key pad



S-10DOORSAL
Swing doors safety cover



P-10T-SIDE00470
Extended conical pin h=102 mm